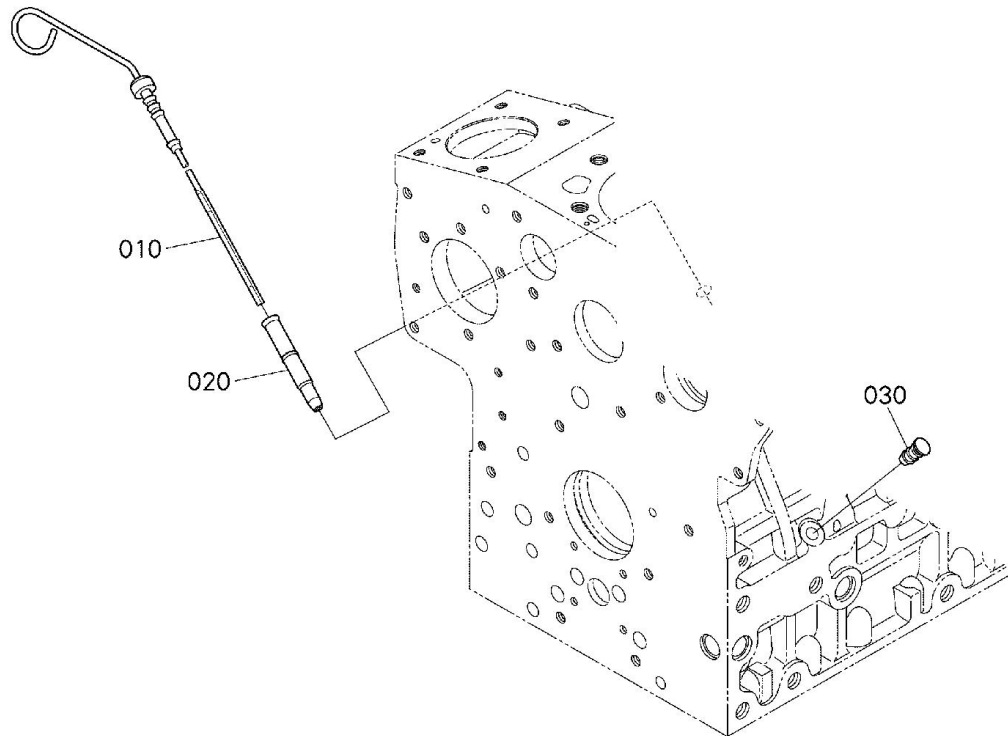


D1803-CR-TIE4B-KEA-1 -> ENGINE -> 501200 DIPSTICK AND GUIDE ##  
D1803-CR-TIE4B-KEA-1

Update Date: 10/07/2018, Printing Date: 04/04/2019



1J802-003-11

D1803-CR-TIE4B-KEA-1 -> ENGINE -> 501200 DIPSTICK AND GUIDE ## D1803-CR-TIE4B-KEA-1

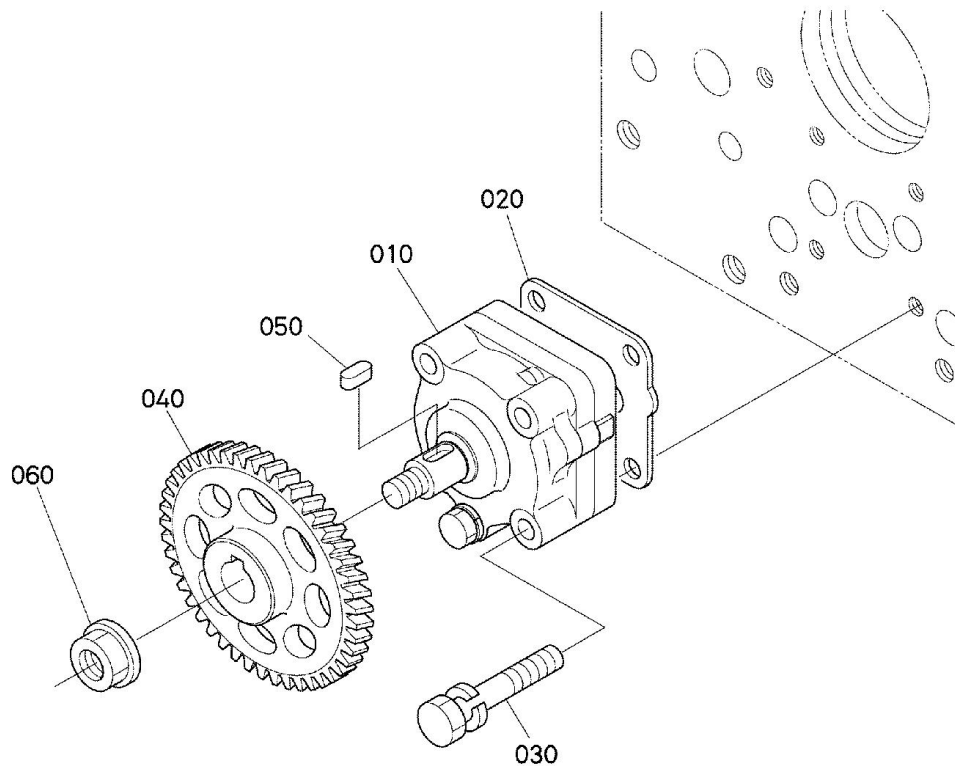
Update Date: 10/07/2018, Printing Date: 04/04/2019

Interchangeable =, Not Interchangeable NI, New for Old >>, Old for New <<

No	Part Number	Part Name	Qty	RoundUp	IC	S/N	Remarks	Kg
010	1J873-36412	GAUGE,ENG. OIL	1					0.03
020	17456-36420	GUIDE(GAUGE,OIL)	1					0.03
030	1G513-36550	PLUG,OIL GAUGE	1					0.004

D1803-CR-TIE4B-KEA-1 -> ENGINE -> 501500 OIL PUMP ## D1803-CR-TIE4B-KEA-1

Update Date: 10/07/2018, Printing Date: 04/04/2019



1A043-005-13

D1803-CR-TIE4B-KEA-1 -> ENGINE -> 501500 OIL PUMP ## D1803-CR-TIE4B-KEA-1

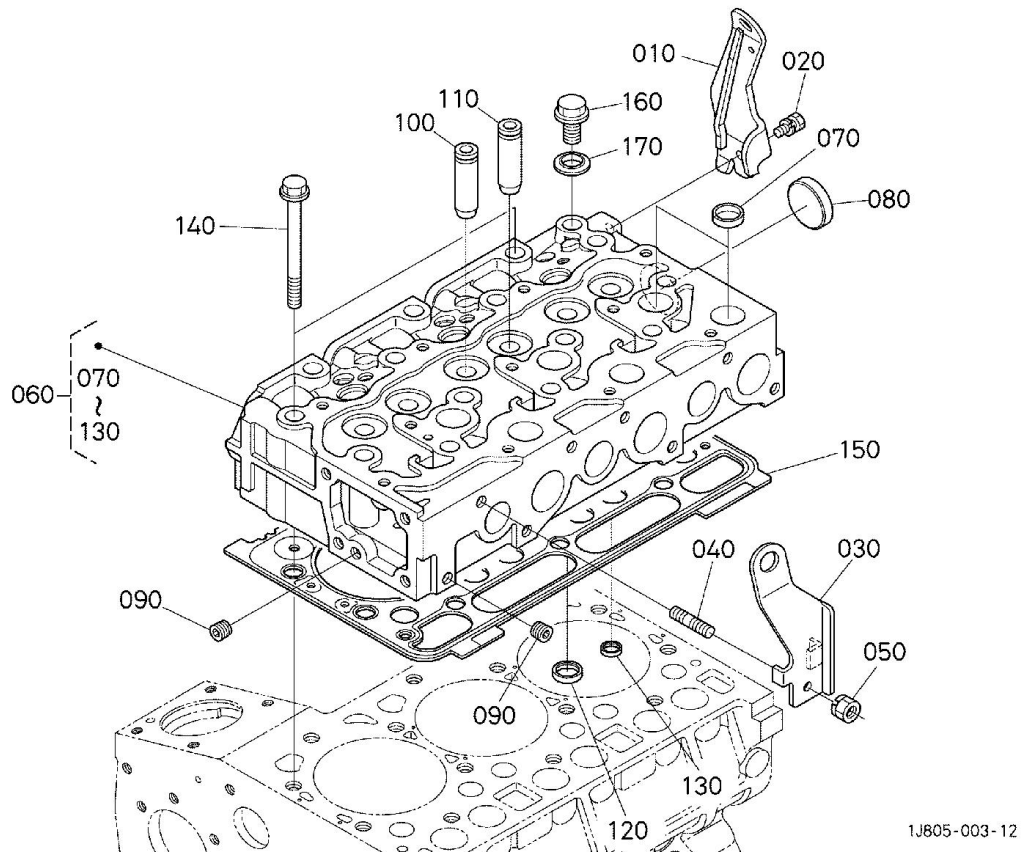
Update Date: 10/07/2018, Printing Date: 04/04/2019

Interchangeable =, Not Interchangeable NI, New for Old >>, Old for New <<

No	Part Number	Part Name	Qty	RoundUp	IC	S/N	Remarks	Kg
010	1E013-35013	ASSY PUMP,OIL	1					0.57
020	1A021-35150	GASKET,OIL PUMP	1					0.001
030	01023-50650	BOLT,SEMS	4					0.012
040	1G896-35660	GEAR,OIL PUMP DRIVE	1					0.135
050	05712-00410	KEY,FEATHER	1					0.001
060	15221-35682	NUT	1					0.014

D1803-CR-TIE4B-KEA-1 -> ENGINE -> 502000 CYLINDER HEAD ## D1803-CR-TIE4B-KEA-1

Update Date: 10/07/2018, Printing Date: 04/04/2019



D1803-CR-TIE4B-KEA-1 -> ENGINE -> 502000 CYLINDER HEAD ## D1803-CR-TIE4B-KEA-1

Update Date: 10/07/2018, Printing Date: 04/04/2019

Interchangeable =, Not Interchangeable NI, New for Old >>, Old for New <<

No	Part Number	Part Name	Qty	RoundUp	IC	S/N	Remarks	Kg
010	1J813-01752	HOOK(ENGINE,REAR)	1					0.42
020	01123-50816	BOLT,SEMS	1					0.011
030	1J804-01740	HOOK(ENGINE,FRONT)	1					0.3
040	15471-91530	BOLT,STUD	1					0.01
050	16429-92010	NUT WITH LOCK WASHER	1					0.007
060	1J807-03040	HEAD,CYLINDER,COMP	1					15.0
070	15221-03370	PLUG,CUP TYPE	9					0.01
080	15221-03490	CAP,SEALING	1					0.02
090	15261-96010	PLUG	2					0.002
100	1G896-13580	GUIDE,VALVE,INLET	3					0.02
110	1C010-13560	GUIDE,EXHAUST VALVE	3					0.025
120	17111-13620	SEAT,INLET VALVE	3					0.01

D1803-CR-TIE4B-KEA-1 -> ENGINE -> 502000 CYLINDER HEAD ## D1803-CR-TIE4B-KEA-1

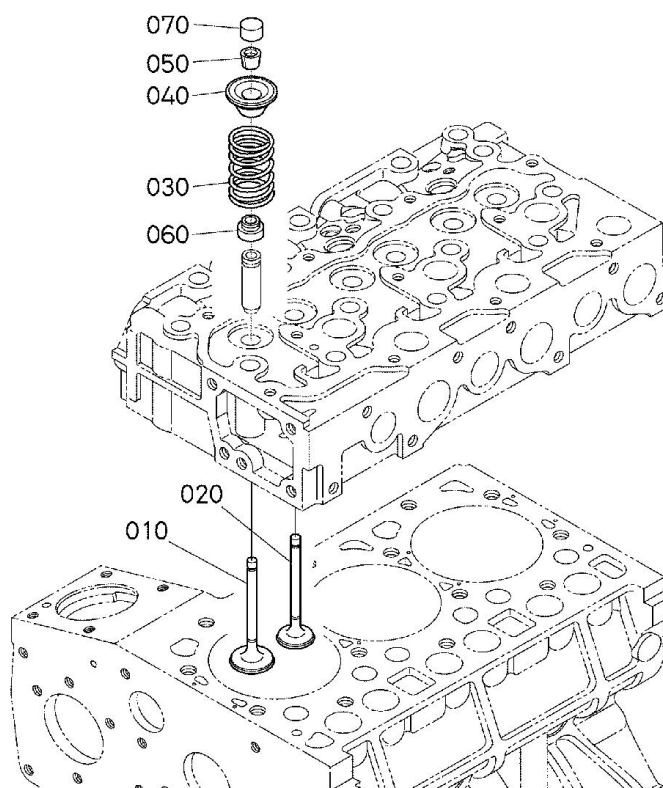
Update Date: 10/07/2018, Printing Date: 04/04/2019

Interchangeable =, Not Interchangeable NI, New for Old >>, Old for New <<

No	Part Number	Part Name	Qty	RoundUp	IC	S/N	Remarks	Kg
130	17111-13612	SEAT,EXHAUST VALVE	3					0.007
140	19013-03450	BOLT,HEAD(CYLINDER)	14					0.077
150	1G750-03602	GASKET,CYL.HEAD	1				1.15mm	0.215
150	1G750-03312	GASKET,CYL.HEAD	1				1.20mm	0.22
150	1G750-03612	GASKET,CYL.HEAD	1				1.25mm	0.235
150	1G750-03622	GASKET,CYL.HEAD	1				1.30mm	0.245
150	1G750-03632	GASKET,CYL.HEAD	1				1.35mm	0.255
160	06311-55010	PLUG	1					0.015
170	04717-01000	WASHER,SEAL	1					0.001

D1803-CR-TIE4B-KEA-1 -> ENGINE -> 503000 INLET VALVE AND EXHAUST VALVE ## D1803-CR-TIE4B-KEA-1

Update Date: 10/07/2018, Printing Date: 04/04/2019



1J813-009-12

D1803-CR-TIE4B-KEA-1 -> ENGINE -> 503000 INLET VALVE AND EXHAUST VALVE ## D1803-CR-TIE4B-KEA-1

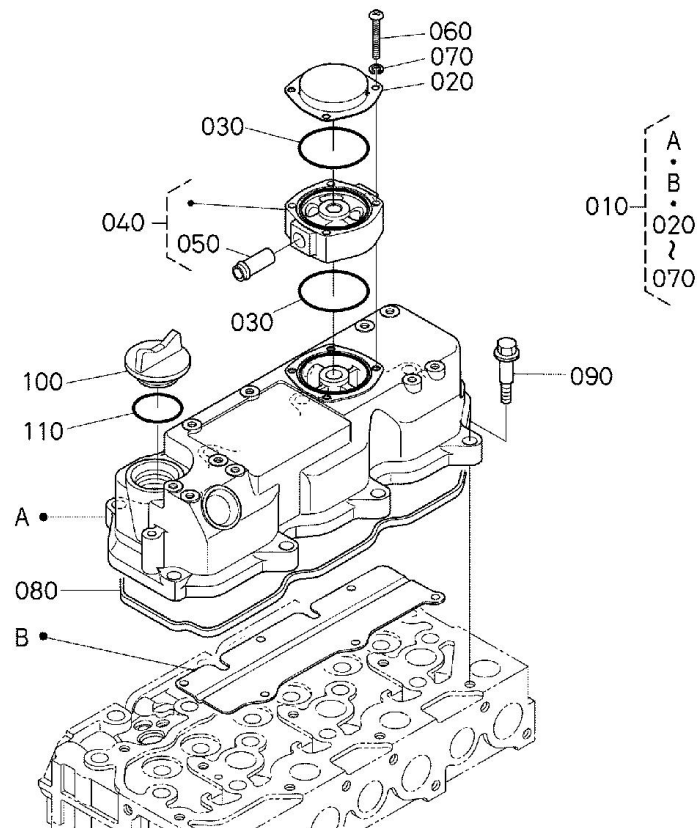
Update Date: 10/07/2018, Printing Date: 04/04/2019

Interchangeable =, Not Interchangeable NI, New for Old >>, Old for New <<

No	Part Number	Part Name	Qty	RoundUp	IC	S/N	Remarks	Kg
010	1G852-13112	VALVE,INLET	3			<=7HHZ999		0.08
010	1G852-13114	VALVE,INLET	3		>>	>=7HJ0001		0.08
020	1G852-13122	VALVE,EXHAUST	3			<=7HHZ999		0.065
020	1G852-13124	VALVE,EXHAUST	3		>>	>=7HJ0001		0.065
030	1G896-13240	SPRING,VALVE	6					0.04
040	15221-13330	RETAINER,VALVE SP.	6					0.028
050	15221-13980	COLLET,VALVE SPRING	6				SET	0.005
060	15221-13153	SEAL(VALVE STEM)	6					0.002
070	1G896-13280	CAP(VALVE)	6					0.005

D1803-CR-TIE4B-KEA-1 -> ENGINE -> 505000 HEAD COVER ## D1803-CR-TIE4B-KEA-1

Update Date: 10/07/2018, Printing Date: 04/04/2019



1J454-058-11

D1803-CR-TIE4B-KEA-1 -> ENGINE -> 505000 HEAD COVER ## D1803-CR-TIE4B-KEA-1

Update Date: 10/07/2018, Printing Date: 04/04/2019

Interchangeable =, Not Interchangeable NI, New for Old >>, Old for New <<

No	Part Number	Part Name	Qty	RoundUp	IC	S/N	Remarks	Kg
010	1J804-14503	COVER,HEAD,ASSY	1					1.47
020	1G742-05120	COVER,BREATHER	1					0.035
030	1G924-05430	O-RING	2					0.001
040	1J802-14680	SPACER,COMP (BREATHER)	1					0.18
050	17331-73342	PIPE,WATER RETURN	1					0.01
060	03054-50535	SCREW,PAN HEAD (PHILLIPS)	4					0.005
070	04512-50050	WASHER,SPRING LOCK	4					0.001
080	1A021-14523	GASKET (COVER,HEAD)	1					0.02
090	1G911-91022	BOLT	8					0.015

## D1803-CR-TIE4B-KEA-1 -&gt; ENGINE -&gt; 505000 HEAD COVER ## D1803-CR-TIE4B-KEA-1

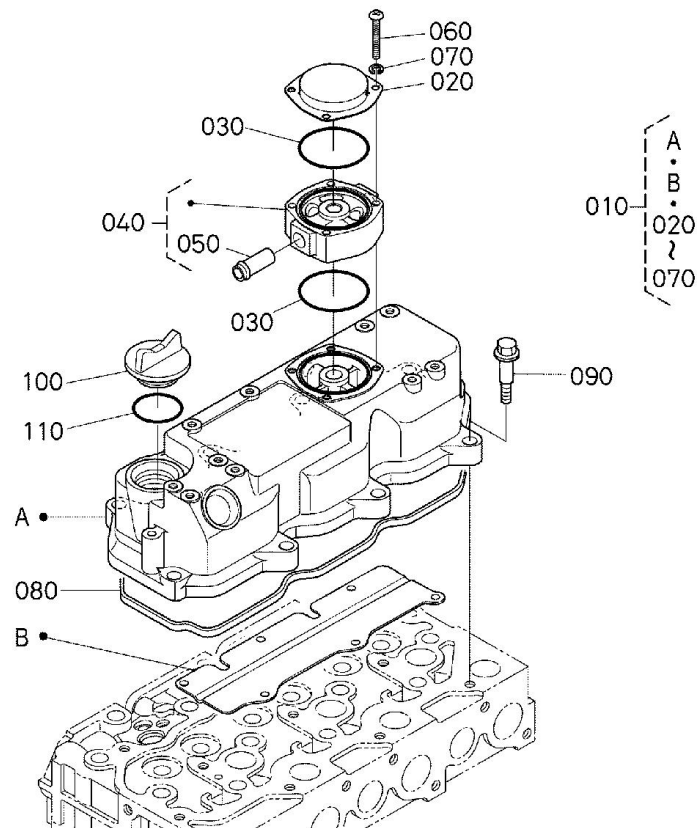
Update Date: 10/07/2018, Printing Date: 04/04/2019

Interchangeable =, Not Interchangeable NI, New for Old &gt;&gt;, Old for New &lt;&lt;

No	Part Number	Part Name	Qty	RoundUp	IC	S/N	Remarks	Kg
100	15852-33140	PLUG,OIL FILLER	1					0.038
110	04817-50300	O RING	1					0.001

D1803-CR-TIE4B-KEA-1 -> ENGINE -> 505000 HEAD COVER ## D1803-CR-TIE4B-KEA-1

Update Date: 10/07/2018, Printing Date: 04/04/2019



1J454-058-11

D1803-CR-TIE4B-KEA-1 -> ENGINE -> 505000 HEAD COVER ## D1803-CR-TIE4B-KEA-1

Update Date: 10/07/2018, Printing Date: 04/04/2019

Interchangeable =, Not Interchangeable NI, New for Old >>, Old for New <<

No	Part Number	Part Name	Qty	RoundUp	IC	S/N	Remarks	Kg
010	1J804-14503	COVER,HEAD,ASSY	1					1.47
020	1G742-05120	COVER,BREATHER	1					0.035
030	1G924-05430	O-RING	2					0.001
040	1J802-14680	SPACER,COMP (BREATHER)	1					0.18
050	17331-73342	PIPE,WATER RETURN	1					0.01
060	03054-50535	SCREW,PAN HEAD (PHILLIPS)	4					0.005
070	04512-50050	WASHER,SPRING LOCK	4					0.001
080	1A021-14523	GASKET (COVER,HEAD)	1					0.02
090	1G911-91022	BOLT	8					0.015



## D1803-CR-TIE4B-KEA-1 -&gt; ENGINE -&gt; 505000 HEAD COVER ## D1803-CR-TIE4B-KEA-1

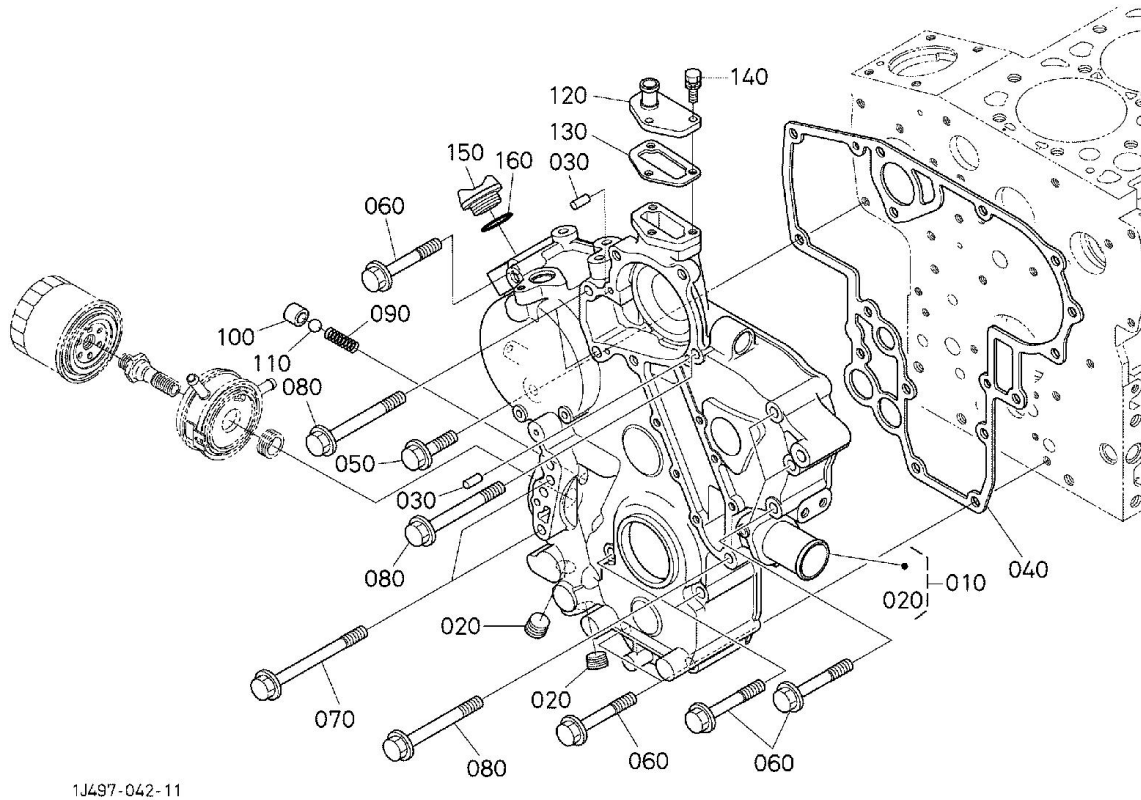
Update Date: 10/07/2018, Printing Date: 04/04/2019

Interchangeable =, Not Interchangeable NI, New for Old &gt;&gt;, Old for New &lt;&lt;

No	Part Number	Part Name	Qty	RoundUp	IC	S/N	Remarks	Kg
100	15852-33140	PLUG,OIL FILLER	1					0.038
110	04817-50300	O RING	1					0.001

D1803-CR-TIE4B-KEA-1 -> ENGINE -> 508000 GEAR CASE ## D1803-CR-TIE4B-KEA-1

Update Date: 10/07/2018, Printing Date: 04/04/2019



D1803-CR-TIE4B-KEA-1 -> ENGINE -> 508000 GEAR CASE ## D1803-CR-TIE4B-KEA-1

Update Date: 10/07/2018, Printing Date: 04/04/2019

Interchangeable =, Not Interchangeable NI, New for Old >>, Old for New <<

No	Part Number	Part Name	Qty	RoundUp	IC	S/N	Remarks	Kg
010	1J801-04020	CASE,GEAR,COMP	1					3.8
020	16241-96020	PLUG	2					0.015
030	05012-00612	PIN, STRAIGHT	2					0.003
040	1J801-04130	GASKET(GEAR CASE)	1					0.02
050	01754-50830	BOLT,FLANGE	1					0.05
060	1A021-91030	BOLT,SEMS	8					0.03
070	1G841-91010	BOLT,SEMS	2					0.04
080	01754-50885	BOLT,FLANGE	4					0.032
090	15241-36950	SPRING	1					0.004
100	15521-36930	SEAT,VALVE	1					0.015
110	07715-03213	BALL	1					0.004

D1803-CR-TIE4B-KEA-1 -> ENGINE -> 508000 GEAR CASE ## D1803-CR-TIE4B-KEA-1

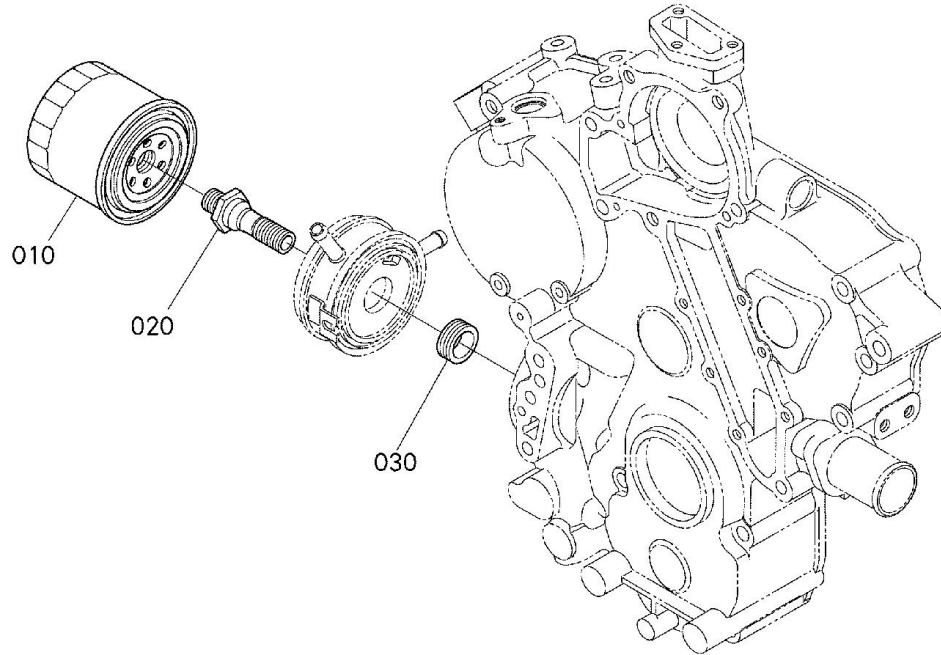
Update Date: 10/07/2018, Printing Date: 04/04/2019

Interchangeable =, Not Interchangeable NI, New for Old >>, Old for New <<

No	Part Number	Part Name	Qty	RoundUp	IC	S/N	Remarks	Kg
120	15521-73320	FLANGE,WATER RETURN	1					0.04
130	1A021-73332	GASKET(RETURN FLANGE)	1					0.001
140	01023-50620	BOLT,SEMS	3					0.006
150	15852-33140	PLUG,OIL FILLER	1					0.038
160	04817-50300	O RING	1					0.001

D1803-CR-TIE4B-KEA-1 -> ENGINE -> 508200 OIL FILTER ## D1803-CR-TIE4B-KEA-1

Update Date: 10/07/2018, Printing Date: 04/04/2019



1J802-007-15

D1803-CR-TIE4B-KEA-1 -> ENGINE -> 508200 OIL FILTER ## D1803-CR-TIE4B-KEA-1

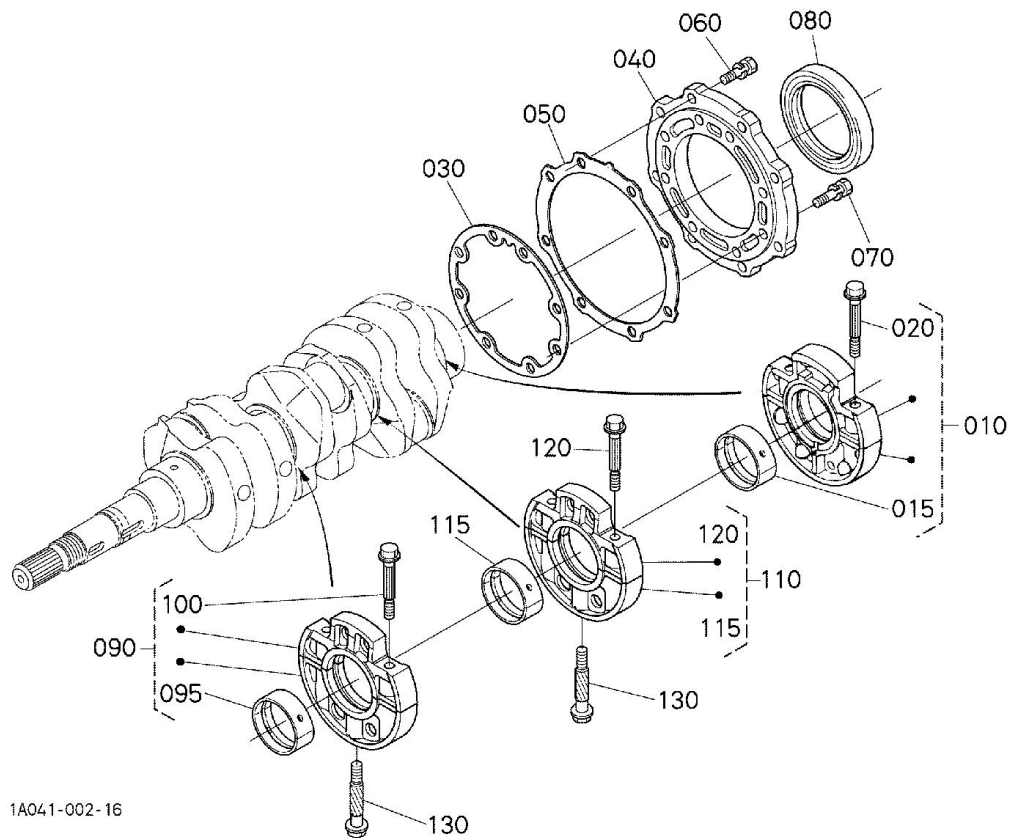
Update Date: 10/07/2018, Printing Date: 04/04/2019

Interchangeable =, Not Interchangeable NI, New for Old >>, Old for New <<

No	Part Number	Part Name	Qty	RoundUp	IC	S/N	Remarks	Kg
010	HH164-32430	FILTER (CARTRIDGE,OIL)	1					0.5
020	1G622-37084	CONNECTOR	1					0.145
030	1G897-37090	COLLAR	1					0.035

D1803-CR-TIE4B-KEA-1 -> ENGINE -> 510500 MAIN BEARING CASE ##  
D1803-CR-TIE4B-KEA-1

Update Date: 10/07/2018, Printing Date: 04/04/2019



D1803-CR-TIE4B-KEA-1 -> ENGINE -> 510500 MAIN BEARING CASE ## D1803-CR-TIE4B-KEA-1

Update Date: 10/07/2018, Printing Date: 04/04/2019

Interchangeable =, Not Interchangeable NI, New for Old >, Old for New <<

No	Part Number	Part Name	Qty	RoundUp	IC	S/N	Remarks	Kg
010	1A091-07095	ASSY BRG.CASE,WHEEL	1					1.435
015	1A091-23482	METAL,CRANKSHAFT	1				STD SET	0.05
015	1A091-23930	METAL,CRANKSHAFT	1				-0.20mm SET	0.06
015	1A091-23940	METAL,CRANKSHAFT	1				-0.40mm SET	0.065
020	1A091-04540	BOLT,BEARING CASE	2					0.035
030	1A091-04362	GASKET,BEARING CASE	1					0.02
040	1G851-04813	COVER,BEARING CASE	1					0.495
050	1A091-04820	GASKET,CASE COVER	1					0.009
060	01123-50825	BOLT,SEMS	8					0.013
070	01123-50828	BOLT,SEMS	8					0.014
080	16433-04460	SEAL,OIL	1					0.063
090	1A071-07044	ASSY BRG.CASE,MAIN	1					1.4

D1803-CR-TIE4B-KEA-1 -> ENGINE -> 510500 MAIN BEARING CASE ## D1803-CR-TIE4B-KEA-1

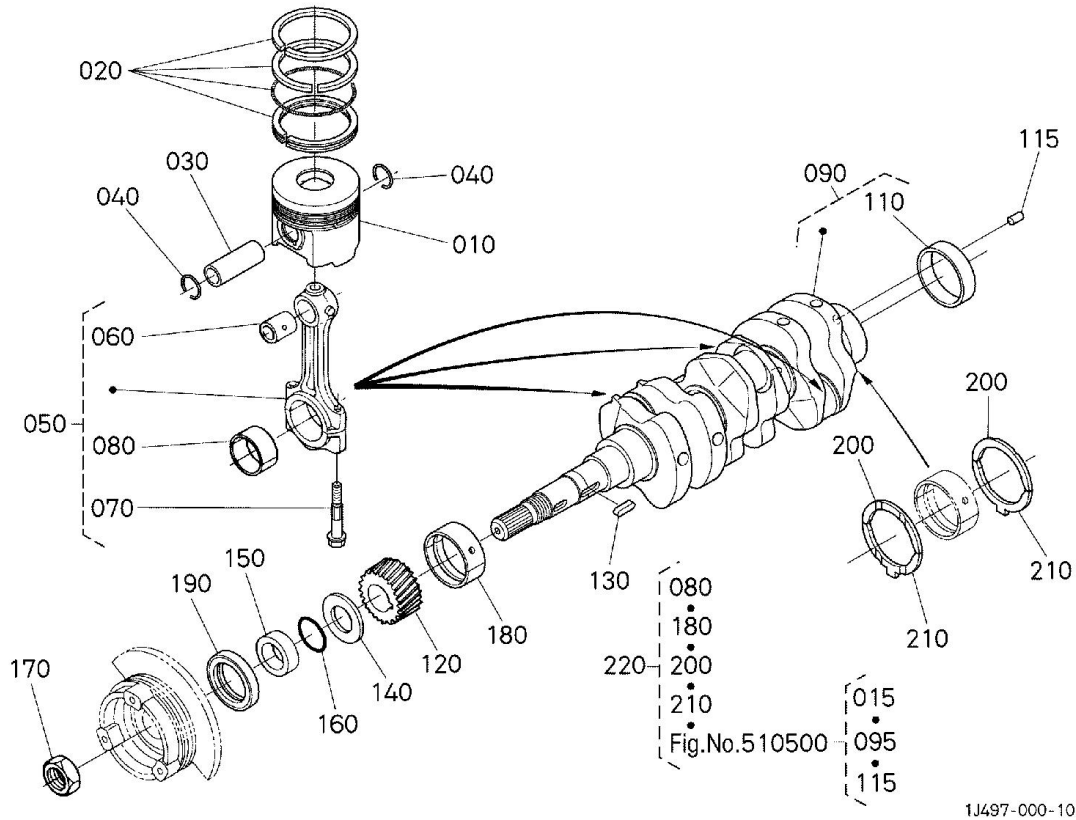
Update Date: 10/07/2018, Printing Date: 04/04/2019

Interchangeable =, Not Interchangeable NI, New for Old >>, Old for New <<

No	Part Number	Part Name	Qty	RoundUp	IC	S/N	Remarks	Kg
095	1A091-23482	METAL,CRANKSHAFT	1				STD SET	0.05
095	1A091-23930	METAL,CRANKSHAFT	1				-0.20mm SET	0.06
095	1A091-23940	METAL,CRANKSHAFT	1				-0.40mm SET	0.065
100	1A091-04540	BOLT,BEARING CASE	2					0.035
110	1A071-07054	ASSY BRG.CASE,MAIN	1					1.4
115	1A091-23482	METAL,CRANKSHAFT	1				STD SET	0.05
115	1A091-23930	METAL,CRANKSHAFT	1				-0.20mm SET	0.06
115	1A091-23940	METAL,CRANKSHAFT	1				-0.40mm SET	0.065
120	1A091-04540	BOLT,BEARING CASE	2					0.035
130	15601-04560	BOLT,BEARING CASE	2					0.06

D1803-CR-TIE4B-KEA-1 -> ENGINE -> 511000 PISTON AND CRANKSHAFT ##  
D1803-CR-TIE4B-KEA-1

Update Date: 10/07/2018, Printing Date: 04/04/2019



1J497-000-10

D1803-CR-TIE4B-KEA-1 -> ENGINE -> 511000 PISTON AND CRANKSHAFT ##  
D1803-CR-TIE4B-KEA-1

Update Date: 10/07/2018, Printing Date: 04/04/2019

Interchangeable =, Not Interchangeable NI, New for Old >>, Old for New <<

No	Part Number	Part Name	Qty	RoundUp	IC	S/N	Remarks	Kg
010	1J808-21110	PISTON(05)	3				STD	0.6
010	1J808-21900	PISTON(05)	3				+0.25mm	0.58
020	1G924-21052	RING,PISTON,ASSY	3				STD	0.05
020	1G924-21090	ASSY PISTON RING	3				+0.25mm	0.052
030	1A021-21310	PISTON PIN	3					0.165
040	1G279-21330	CIR CLIP,INTERNAL	6					0.004
050	1G924-22014	ROD,CONNECTING,ASSY	3					0.8
060	1G924-21980	BUSH,PISTON PIN	3					0.023

D1803-CR-TIE4B-KEA-1 -> ENGINE -> 511000 PISTON AND CRANKSHAFT ##  
D1803-CR-TIE4B-KEA-1

Update Date: 10/07/2018, Printing Date: 04/04/2019

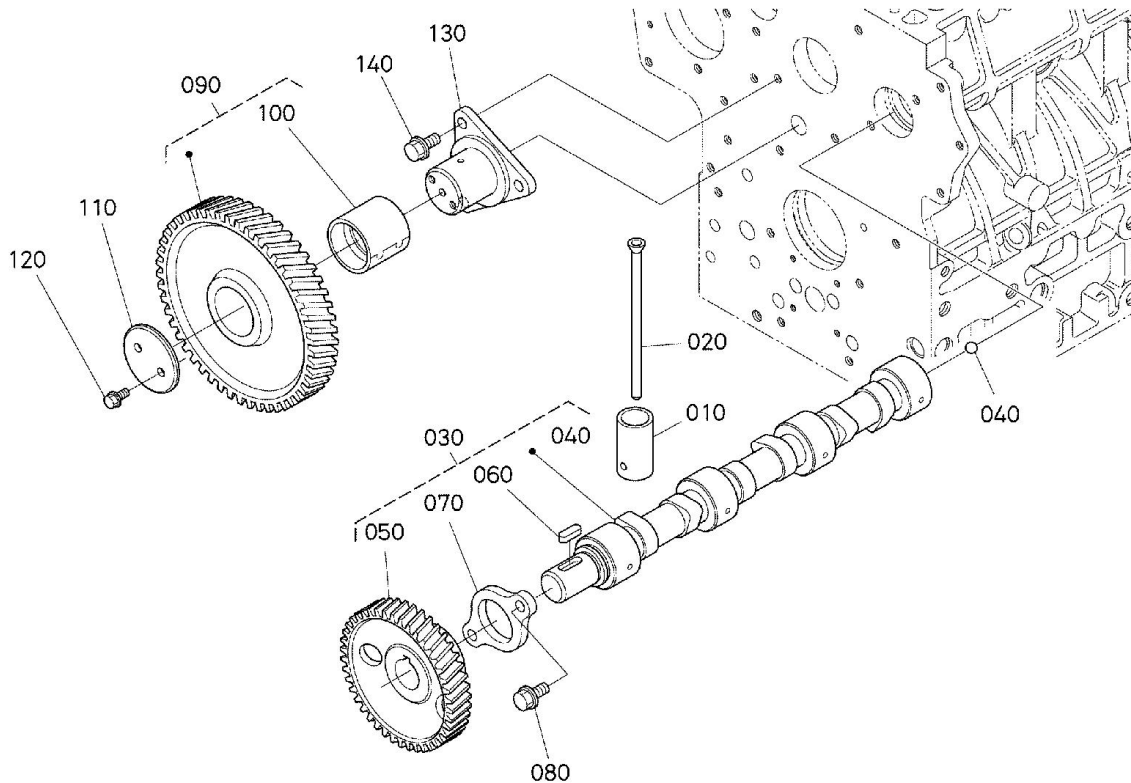
Interchangeable =, Not Interchangeable NI, New for Old >>, Old for New <<

No	Part Number	Part Name	Qty	RoundUp	IC	S/N	Remarks	Kg
070	1J700-22140	BOLT,CONNECTING ROD	6					0.025
080	17311-22312	METAL,CRANKPIN	3				STD SET	0.045
080	17311-22970	METAL(CRANKPIN,02)	3				-0.20mm SET	0.05
080	17311-22980	METAL(CRANKPIN,04)	3				-0.40mm SET	0.045
090	1G840-23020	CRANKSHAFT,COMP	1					14.2
110	19202-23280	BUSH,CRANKSHAFT	1					0.09
115	1A021-23192	PIN,STRAIGHT	1					0.005
120	1K321-24110	GEAR,CRANKSHAFT	1					0.45
130	05712-00730	FEATHER KEY	1					0.011
140	15471-23312	OIL SLINGER	1					0.008
150	19202-23250	COLLAR,CRANKSHAFT	1					0.08
160	04811-10300	O RING	1					0.001
170	15221-23360	NUT,CRANKSHAFT	1					0.11
180	1A091-23472	METAL,CRANKSHAFT	1				STD	0.062
180	1A091-23910	METAL,CRANKSHAFT	1				-0.20mm	0.065
180	1A091-23920	METAL,CRANKSHAFT	1				-0.40mm	0.065
190	1J826-04140	SEAL,OIL	1					0.02
200	1A091-23532	METAL,SIDE	2				STD	0.009
200	1A091-23950	METAL,SIDE	2				+0.20mm	0.005
200	1A091-23960	METAL,SIDE	2				+0.40mm	0.005
210	1A091-23542	METAL,SIDE	2				STD	0.009
210	1A091-23970	METAL,SIDE	2				+0.20mm	0.005
210	1A091-23980	METAL,SIDE	2				+0.40mm	0.005
220	1G842-23752	KIT METAL,ENGINE	1				STD	0.43
220	1G842-23760	KIT METAL,ENGINE	1				-0.20mm/+0.20mm	0.58
220	1G842-23770	KIT METAL,ENGINE	1				-0.40mm/+0.40mm	0.4



D1803-CR-TIE4B-KEA-1 -> ENGINE -> 512000 CAMSHAFT AND IDLE GEAR  
SHAFT ## D1803-CR-TIE4B-KEA-1

Update Date: 10/07/2018, Printing Date: 04/04/2019



1J331-013-10

D1803-CR-TIE4B-KEA-1 -> ENGINE -> 512000 CAMSHAFT AND IDLE GEAR SHAFT  
## D1803-CR-TIE4B-KEA-1

Update Date: 10/07/2018, Printing Date: 04/04/2019

Interchangeable =, Not Interchangeable NI, New for Old >>, Old for New <<

No	Part Number	Part Name	Qty	RoundUp	IC	S/N	Remarks	Kg
010	15601-15553	TAPPET	6					0.08
020	1A091-15110	ROD,PUSH	6					0.042
030	1G830-16010	ASSY CAMSHAFT	1					2.7
040	07715-00401	BALL 1/4	1					0.001
050	1A091-16513	GEAR,CAMSHAFT	1					0.8
060	05712-00720	KEY, FEATHER	1					0.008
070	15221-16270	STOPPER(CAMSHAFT)	1					0.073
080	01754-50816	BOLT,FLANGE	2					0.011
090	1J854-24012	GEAR,COMP(IDLE)	1					1.18
100	1J860-24982	BUSHING(IDLE GEAR)	1					0.07
110	1J854-24370	COLLAR,IDLE GEAR	1					0.06

D1803-CR-TIE4B-KEA-1 -> ENGINE -> 512000 CAMSHAFT AND IDLE GEAR SHAFT  
## D1803-CR-TIE4B-KEA-1

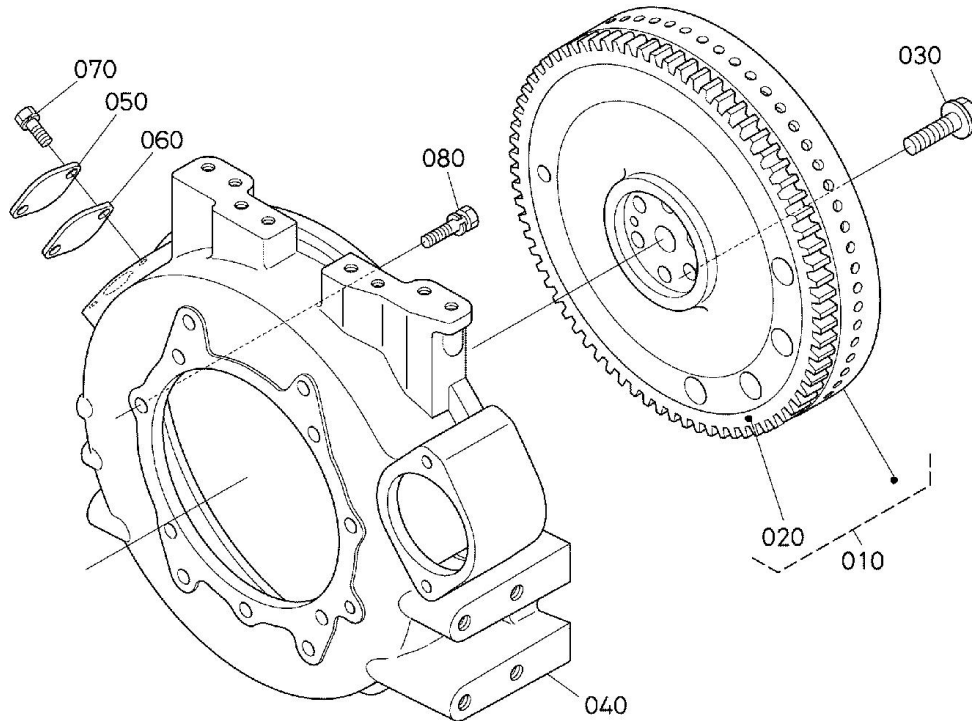
Update Date: 10/07/2018, Printing Date: 04/04/2019

Interchangeable =, Not Interchangeable NI, New for Old >>, Old for New <<

No	Part Number	Part Name	Qty	RoundUp	IC	S/N	Remarks	Kg
120	01754-50610	BOLT,FLANGE	2					0.006
130	1A021-24254	SHAFT,IDLE GEAR	1					0.685
140	01754-50816	BOLT,FLANGE	3					0.011

D1803-CR-TIE4B-KEA-1 -> ENGINE -> 515000 FLYWHEEL ## D1803-CR-TIE4B-KEA-1

Update Date: 10/07/2018, Printing Date: 04/04/2019



1J453-067-12

D1803-CR-TIE4B-KEA-1 -> ENGINE -> 515000 FLYWHEEL ## D1803-CR-TIE4B-KEA-1

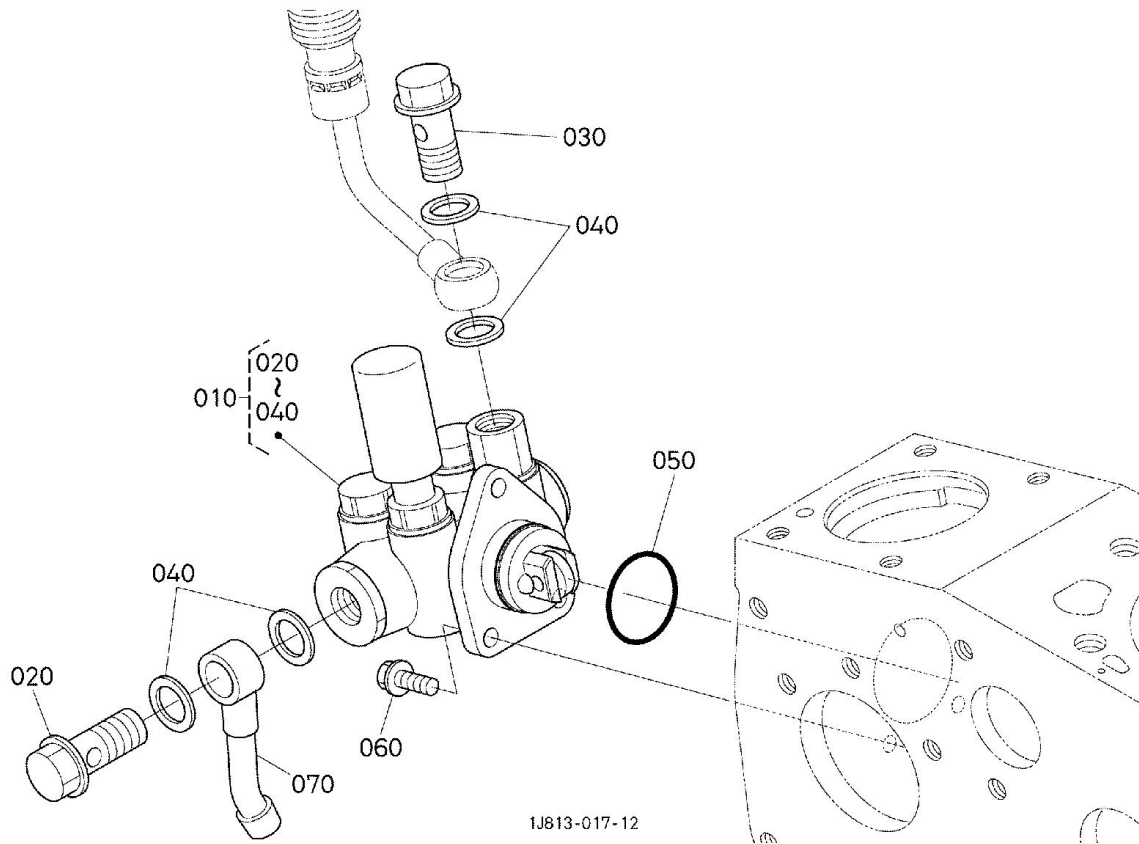
Update Date: 10/07/2018, Printing Date: 04/04/2019

Interchangeable =, Not Interchangeable NI, New for Old >>, Old for New <<

No	Part Number	Part Name	Qty	RoundUp	IC	S/N	Remarks	Kg
010	1E457-25010	FLYWHEEL,COMP	1					24.5
020	1G772-63823	GEAR,RING	1					2.07
030	1G916-25160	BOLT,FLYWHEEL	6					0.043
040	1E457-04612	HOUSING,FW	1					25.0
050	15521-04680	COVER	1					0.035
060	15521-04790	PACKING(COVER)	1					0.005
070	01123-50816	BOLT,SEMS	2					0.011
080	1J860-91010	BOLT	11					0.035

D1803-CR-TIE4B-KEA-1 -> ENGINE -> 521000 INJECTION PUMP ## D1803-CR-TIE4B-KEA-1

Update Date: 10/07/2018, Printing Date: 04/04/2019



D1803-CR-TIE4B-KEA-1 -> ENGINE -> 521000 INJECTION PUMP ## D1803-CR-TIE4B-KEA-1

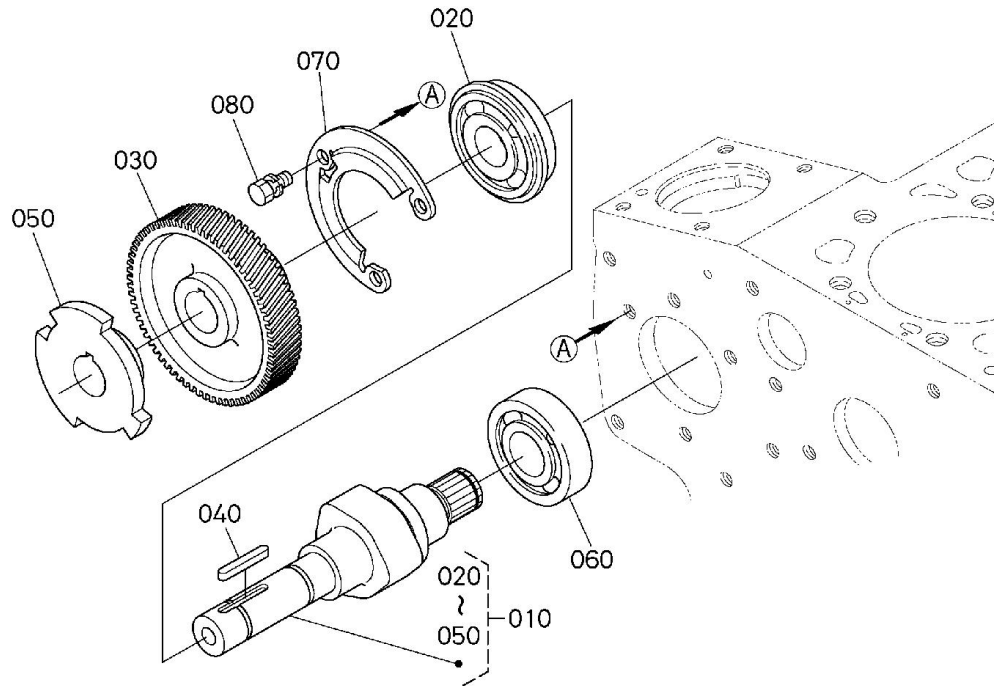
Update Date: 10/07/2018, Printing Date: 04/04/2019

Interchangeable =, Not Interchangeable NI, New for Old >>, Old for New <<

No	Part Number	Part Name	Qty	RoundUp	IC	S/N	Remarks	Kg
010	1J801-52030	PUMP,ASSY(FUEL)	1					1.4
020	1J800-95810	BOLT,JOINT	1					0.035
030	1J800-95820	BOLT,JOINT	1					0.044
040	1J800-43650	GASKET(PIPE,JOINT)	4					0.002
050	19013-96850	O RING	1					0.001
060	01754-50616	BOLT,FLANGE	3					0.006
070	15451-42170	PIPE	1					0.034

D1803-CR-TIE4B-KEA-1 -> ENGINE -> 522000 FUEL CAMSHAFT ## D1803-CR-TIE4B-KEA-1

Update Date: 10/07/2018, Printing Date: 04/04/2019



1J805-006-10

D1803-CR-TIE4B-KEA-1 -> ENGINE -> 522000 FUEL CAMSHAFT ## D1803-CR-TIE4B-KEA-1

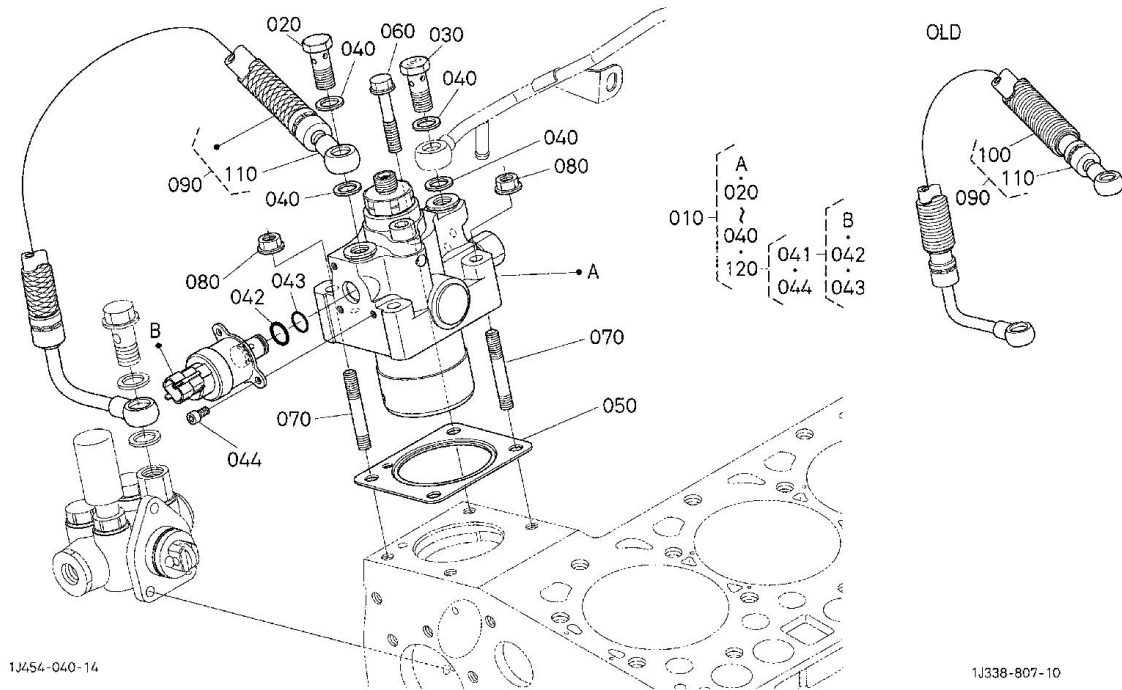
Update Date: 10/07/2018, Printing Date: 04/04/2019

Interchangeable =, Not Interchangeable NI, New for Old >>, Old for New <<

No	Part Number	Part Name	Qty	RoundUp	IC	S/N	Remarks	Kg
010	1J804-16020	ASSY CAMSHAFT,FUEL	1					2.8
020	1G924-51750	BEARING,BALL	1					0.235
030	1J800-51150	GEAR	1					0.98
040	05712-00535	FEATHER KEY	1					0.007
050	1J800-16910	WHEEL	1			<=7HMZ999		0.27
050	1J801-16910	WHEEL	1		>>	>=7HN0001		0.27
060	1G861-97300	BEARING(BALL)	1					0.23
070	1J800-16320	STOPPER,FUEL C/SHAFT	1					0.085
080	01123-50814	BOLT,SEMS	3					0.01

D1803-CR-TIE4B-KEA-1 -> ENGINE -> 526500 SUPPLY PUMP ## D1803-CR-TIE4B-KEA-1

Update Date: 10/07/2018, Printing Date: 04/04/2019



D1803-CR-TIE4B-KEA-1 -> ENGINE -> 526500 SUPPLY PUMP ## D1803-CR-TIE4B-KEA-1

Update Date: 10/07/2018, Printing Date: 04/04/2019

Interchangeable =, Not Interchangeable NI, New for Old >>, Old for New <<

No	Part Number	Part Name	Qty	RoundUp	IC	S/N	Remarks	Kg
010	1J801-50500	PUMP,ASSY(SUPPLY)	1					2.8
020	1J800-95790	BOLT,JOINT	1					0.025
030	1J800-95800	BOLT,JOINT	1					0.028
040	1J800-50520	GASKET	4					0.001
041	1J801-50540	VALVE,ASSY(SCV)	1					0.22
042	1J800-96780	O-RING(SCV,1)	1					0.001
043	1J800-96790	O-RING(SCV,2)	1					0.001
044	1J800-91430	BOLT(SCV)	3					0.003
050	1J800-52130	GASKET,PUMP	1					0.01
060	1J800-91010	BOLT,FLANGE	2					0.02
070	1J800-91490	STUD	2					0.019
080	02751-50080	NUT,FLANGE	2					0.006
090	1E518-42070	HOSE,ASSY(FUEL)	1			<=7HVZ999		0.2
090	1J813-42070	HOSE,ASSY(FUEL)	1		>>	>=7HW0001		0.155
100	1E518-42220	TUBE(PIPE)	1			<=7HVZ999		0.02

## D1803-CR-TIE4B-KEA-1 -&gt; ENGINE -&gt; 526500 SUPPLY PUMP ## D1803-CR-TIE4B-KEA-1

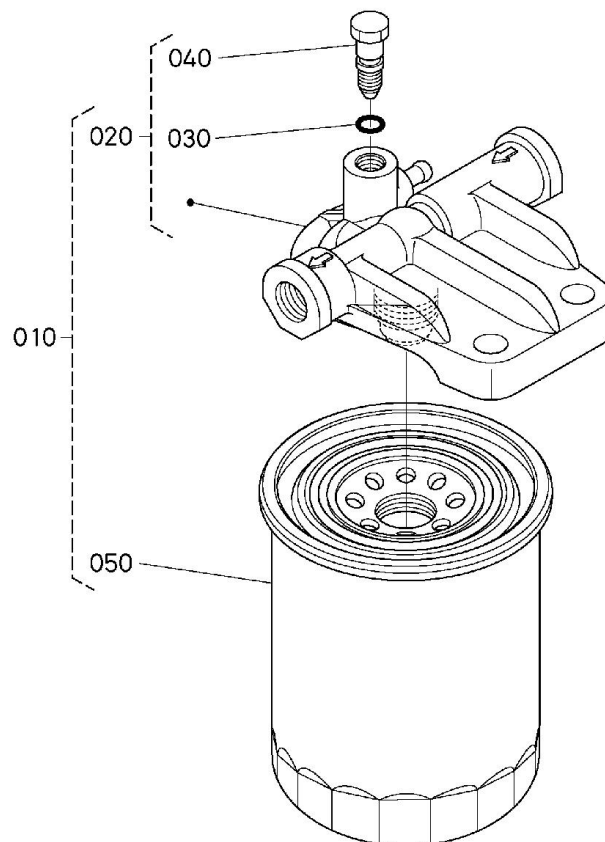
Update Date: 10/07/2018, Printing Date: 04/04/2019

Interchangeable =, Not Interchangeable NI, New for Old &gt;&gt;, Old for New &lt;&lt;

No	Part Number	Part Name	Qty	RoundUp	IC	S/N	Remarks	Kg
110	1E518-42090	HOSE,COMP(FUEL)	1					0.155
120	1J801-97550	VALVE,KIT(SCV)	1					0.205

D1803-CR-TIE4B-KEA-1 -> ENGINE -> 531000 FUEL FILTER ## D1803-CR-TIE4B-KEA-1

Update Date: 10/07/2018, Printing Date: 04/04/2019



1J802-021-10

D1803-CR-TIE4B-KEA-1 -> ENGINE -> 531000 FUEL FILTER ## D1803-CR-TIE4B-KEA-1

Update Date: 10/07/2018, Printing Date: 04/04/2019

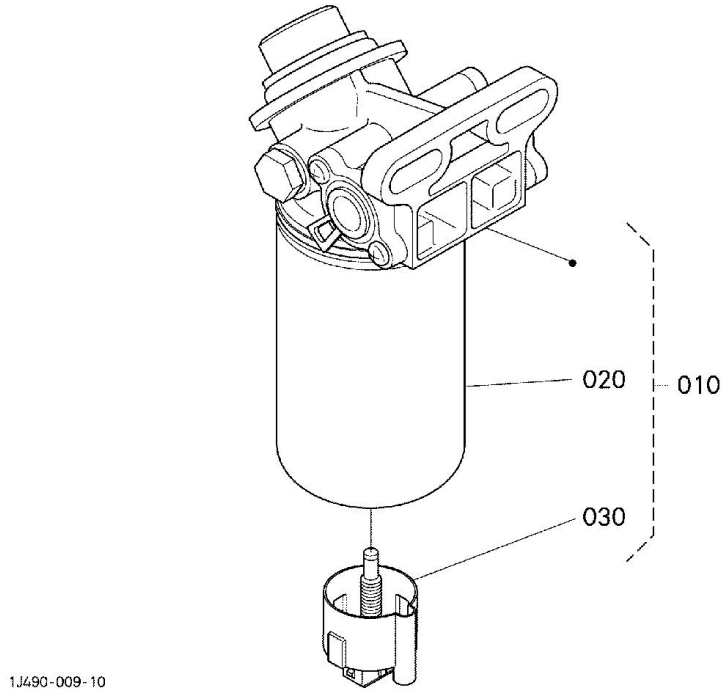
Interchangeable =, Not Interchangeable NI, New for Old >>, Old for New <<

No	Part Number	Part Name	Qty	RoundUp	IC	S/N	Remarks	Kg
010	1J456-43010	FILTER,ASSY(FUEL)	1			<=7JPZ999		0.91
010	1J456-43012	FILTER,ASSY(FUEL)	1		>>	>=7JQ0001		0.91
020	1J800-43220	BASE,FILTER	1					0.29
030	1J800-43970	O RING	1					0.001
040	1J800-43410	PLUG	1					0.011
050	HH1J0-43170	FILTER(FUEL CARTRIDGE)	1					0.65



D1803-CR-TIE4B-KEA-1 -> ENGINE -> 532500 SEPARATOR ## D1803-CR-TIE4B-KEA-1

Update Date: 10/07/2018, Printing Date: 04/04/2019



D1803-CR-TIE4B-KEA-1 -> ENGINE -> 532500 SEPARATOR ## D1803-CR-TIE4B-KEA-1

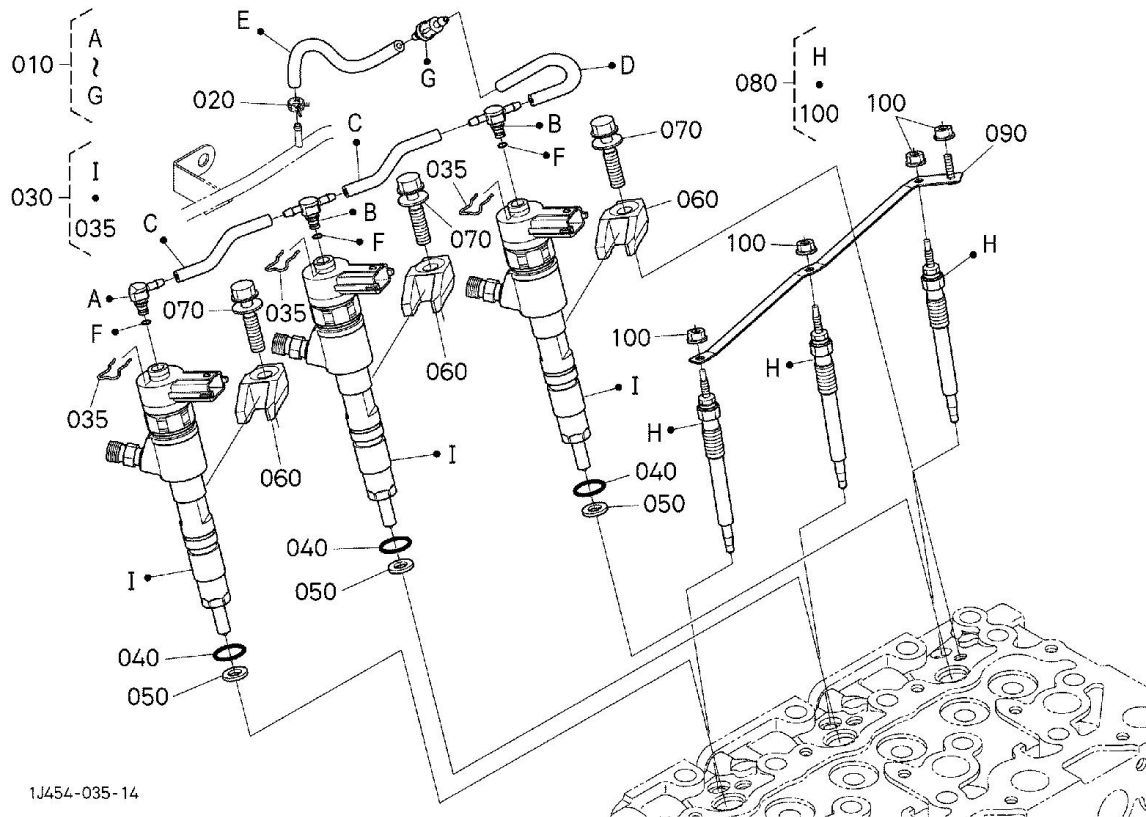
Update Date: 10/07/2018, Printing Date: 04/04/2019

Interchangeable =, Not Interchangeable NI, New for Old >>, Old for New <<

No	Part Number	Part Name	Qty	RoundUp	IC	S/N	Remarks	Kg
010	1J430-43350	FILTER,ASSY (W,SEPARATOR)	1					1.083
020	1J430-43060	FILTER	1					0.476
030	1J430-43880	SWITCH,ASSY	1					0.042

D1803-CR-TIE4B-KEA-1 -> ENGINE -> 540200 INJECTOR AND GLOW PLUG  
 ## D1803-CR-TIE4B-KEA-1

Update Date: 10/07/2018, Printing Date: 04/04/2019



D1803-CR-TIE4B-KEA-1 -> ENGINE -> 540200 INJECTOR AND GLOW PLUG ##  
 D1803-CR-TIE4B-KEA-1

Update Date: 10/07/2018, Printing Date: 04/04/2019

Interchangeable =, Not Interchangeable NI, New for Old >>, Old for New <<

No	Part Number	Part Name	Qty	RoundUp	IC	S/N	Remarks	Kg
010	1J804-42502	TUBE,ASSY(OVER FLOW)	1					0.025
020	09318-88068	CLAMP,HOSE	1					0.001
030	1J808-53050	INJECTOR,ASSY	3			<=7GDZ999		0.515
030	1J808-53052	INJECTOR,ASSY	3		>>	>=7GE0001		0.515
035	1J800-42750	CLAMP	3					0.002
040	1J800-53490	O RING	3					0.001
050	1G796-53620	PACKING	3					0.001
060	1J800-53150	CLAMP	3					0.085
070	1J800-53200	BOLT,ASSY	3					0.022
080	1G852-65512	GLOW PLUG	3					0.04
090	1J804-65560	CORD(GLOW PLUG)	1					0.02

D1803-CR-TIE4B-KEA-1 -> ENGINE -> 540200 INJECTOR AND GLOW PLUG ##  
D1803-CR-TIE4B-KEA-1

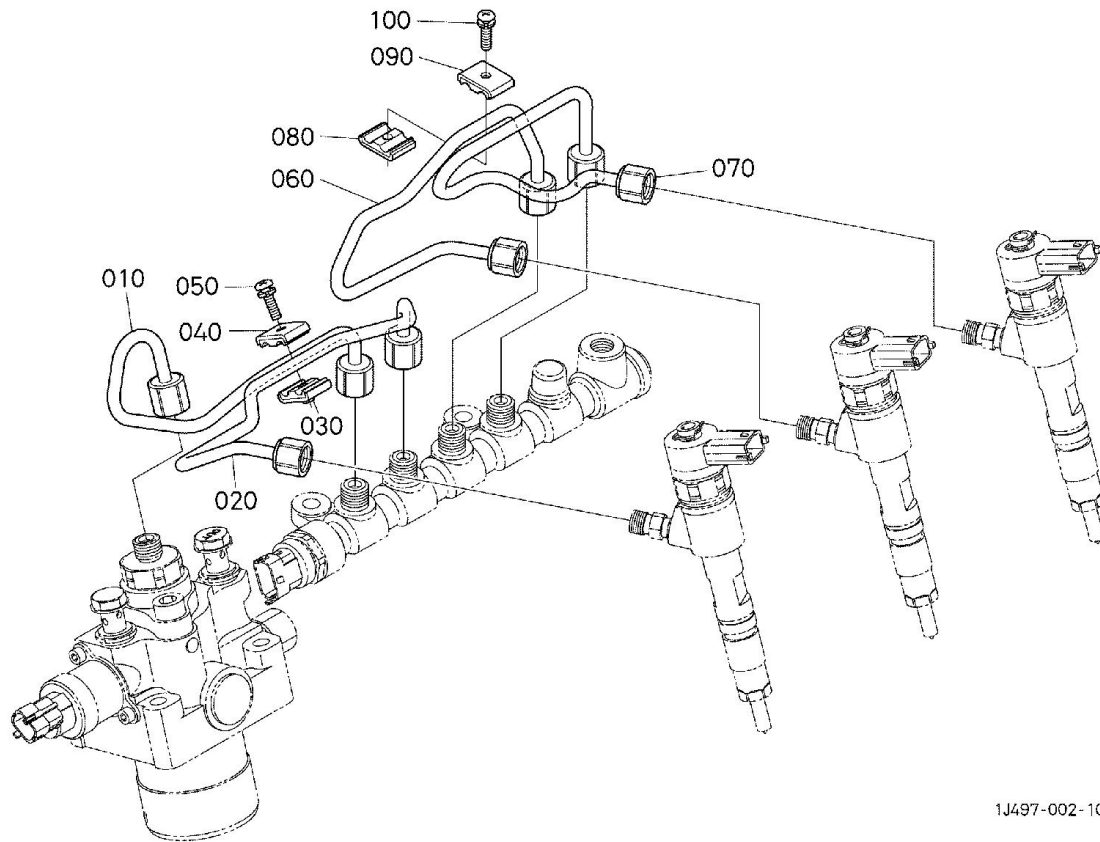
Update Date: 10/07/2018, Printing Date: 04/04/2019

Interchangeable =, Not Interchangeable NI, New for Old >>, Old for New <<

No	Part Number	Part Name	Qty	RoundUp	IC	S/N	Remarks	Kg
100	02761-50040	NUT,FLANGE	4					0.002

D1803-CR-TIE4B-KEA-1 -> ENGINE -> 545000 INJECTION PIPE ## D1803-CR-TIE4B-KEA-1

Update Date: 10/07/2018, Printing Date: 04/04/2019



D1803-CR-TIE4B-KEA-1 -> ENGINE -> 545000 INJECTION PIPE ## D1803-CR-TIE4B-KEA-1

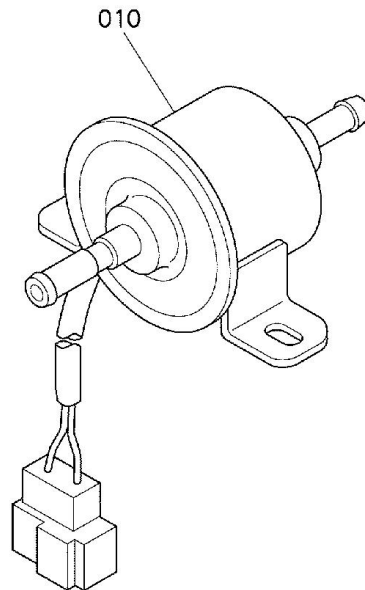
Update Date: 10/07/2018, Printing Date: 04/04/2019

Interchangeable =, Not Interchangeable NI, New for Old >>, Old for New <<

No	Part Number	Part Name	Qty	RoundUp	IC	S/N	Remarks	Kg
010	1J801-53750	PIPE	1					0.08
020	1J800-53710	PIPE,INJECTION	1					0.1
030	15841-53850	CLAMP,PIPE	1					0.008
040	15841-53860	CLAMP,PIPE	1					0.008
050	03024-50520	SCREW,SEMS(PAN HEAD)	1					0.004
060	1J800-53720	PIPE,INJECTION	1					0.095
070	1J800-53730	PIPE,INJECTION	1					0.1
080	15841-53850	CLAMP,PIPE	1					0.008
090	15841-53860	CLAMP,PIPE	1					0.008
100	03024-50520	SCREW,SEMS(PAN HEAD)	1					0.004

D1803-CR-TIE4B-KEA-1 -> ENGINE -> 547100 FUEL PUMP (ELECTRICAL) ##  
D1803-CR-TIE4B-KEA-1

Update Date: 10/07/2018, Printing Date: 04/04/2019



17553-014-22

D1803-CR-TIE4B-KEA-1 -> ENGINE -> 547100 FUEL PUMP (ELECTRICAL) ## D1803-  
CR-TIE4B-KEA-1

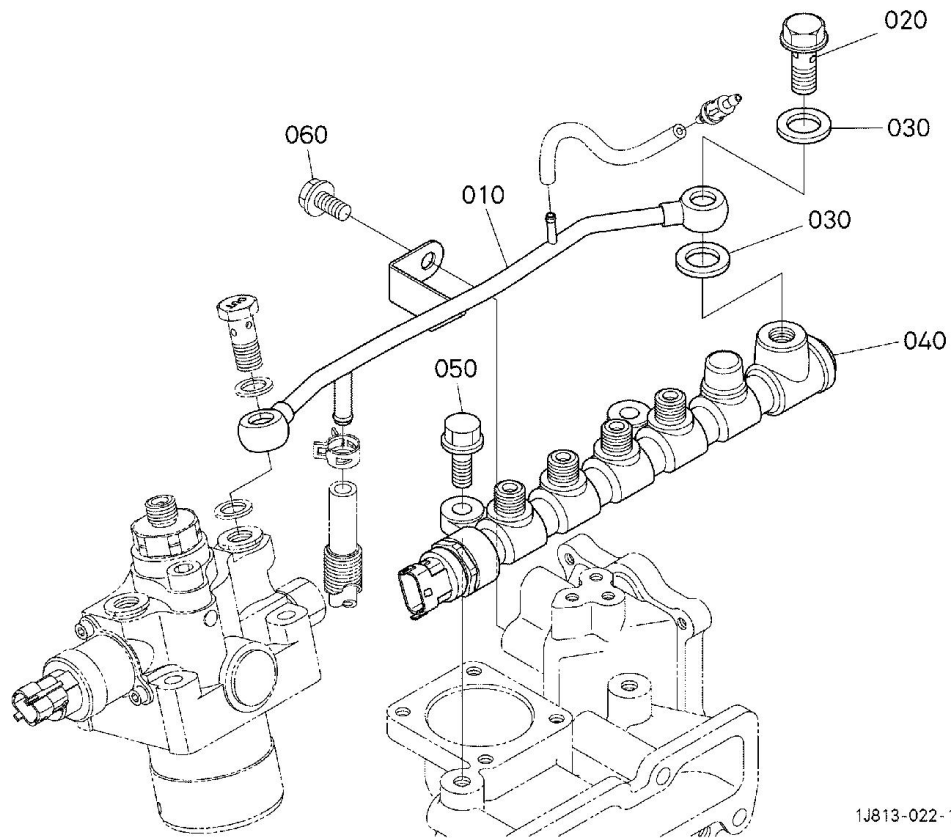
Update Date: 10/07/2018, Printing Date: 04/04/2019

Interchangeable =, Not Interchangeable NI, New for Old >>, Old for New <<

No	Part Number	Part Name	Qty	RoundUp	IC	S/N	Remarks	Kg
010	1G639-52034	ASSY PUMP,FUEL	1			<=7JMZ999		0.3
010	1G639-52035	PUMP,FUEL	1		>>	>=7JN0001		0.3

D1803-CR-TIE4B-KEA-1 -> ENGINE -> 548000 COMMON RAIL ## D1803-CR-TIE4B-KEA-1

Update Date: 10/07/2018, Printing Date: 04/04/2019



D1803-CR-TIE4B-KEA-1 -> ENGINE -> 548000 COMMON RAIL ## D1803-CR-TIE4B-KEA-1

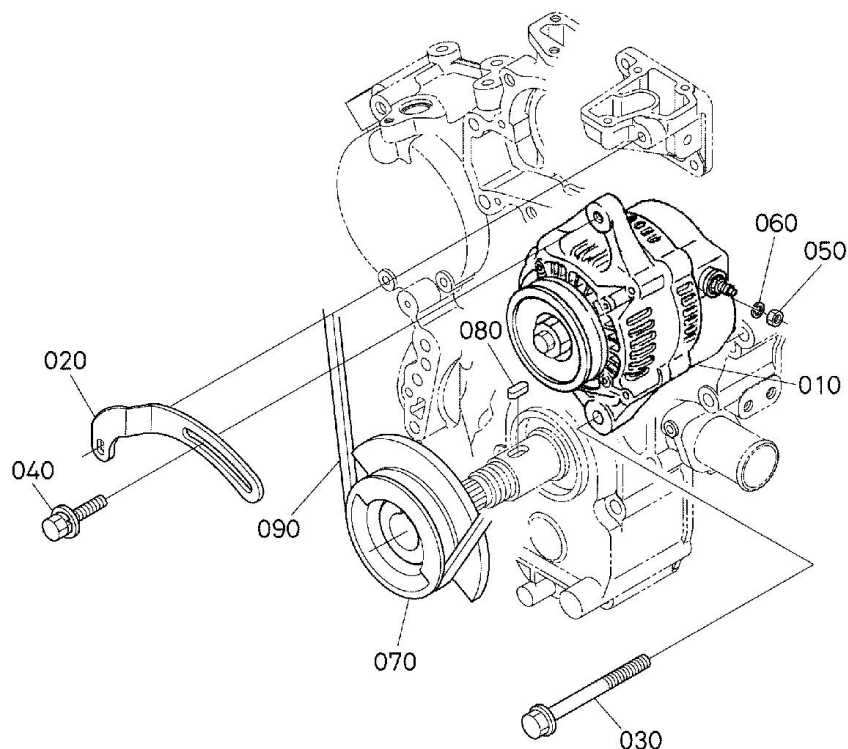
Update Date: 10/07/2018, Printing Date: 04/04/2019

Interchangeable =, Not Interchangeable NI, New for Old >>, Old for New <<

No	Part Number	Part Name	Qty	RoundUp	IC	S/N	Remarks	Kg
010	1J804-42852	PIPE,COMP(WATER OVER FLOW)	1					0.135
020	1J800-95780	BOLT,CONNECTING	1					0.03
030	1J800-50520	GASKET	2					0.001
040	1J804-50602	RAIL,ASSY	1					1.26
050	01754-50825	BOLT,FLANGE	2					0.01
060	01754-50816	BOLT,FLANGE	1					0.011

D1803-CR-TIE4B-KEA-1 -> ENGINE -> 550000 ALTERNATOR AND PULLEY ##  
D1803-CR-TIE4B-KEA-1

Update Date: 10/07/2018, Printing Date: 04/04/2019



1J497-033-11

D1803-CR-TIE4B-KEA-1 -> ENGINE -> 550000 ALTERNATOR AND PULLEY ##  
D1803-CR-TIE4B-KEA-1

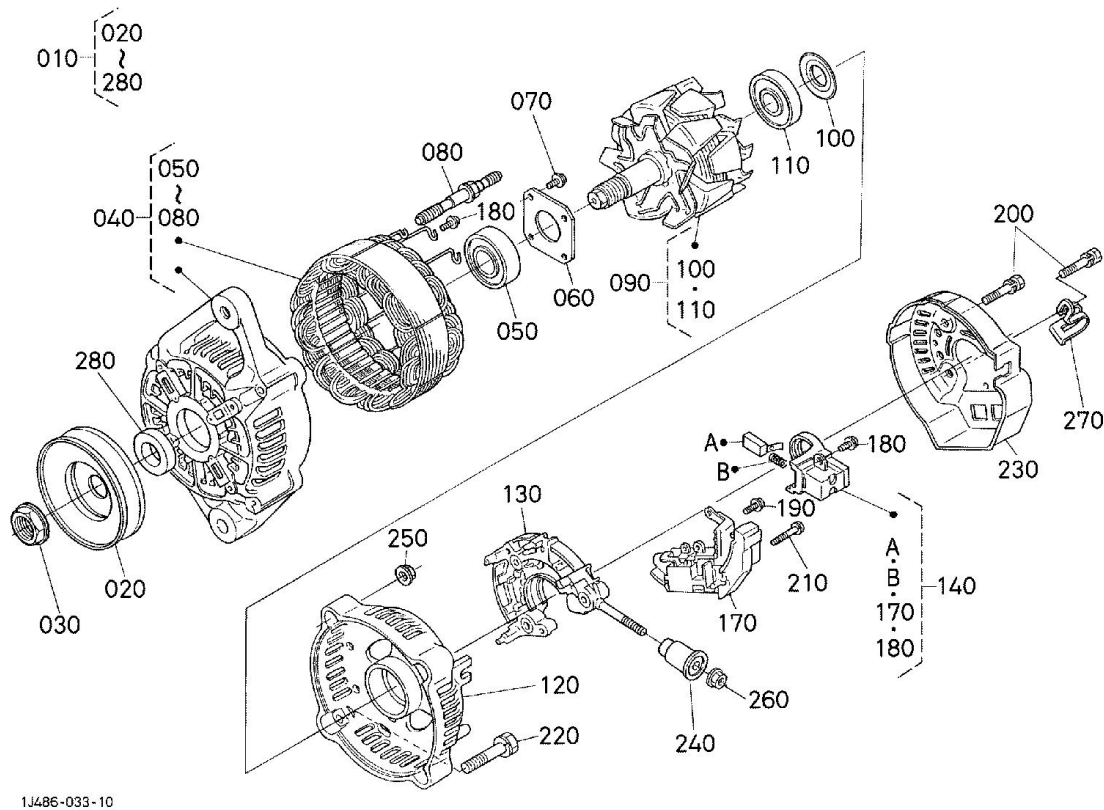
Update Date: 10/07/2018, Printing Date: 04/04/2019

Interchangeable =, Not Interchangeable NI, New for Old >>, Old for New <<

No	Part Number	Part Name	Qty	RoundUp	IC	S/N	Remarks	Kg
010	3A611-74013	ALTERNATOR(60A)	1				12V 60A	3.35
020	1E090-64420	STAY,DYNAMO	1					0.18
030	01774-51070	BOLT,FLANGE	1					0.05
040	01127-50830	BOLT,W SEMS(LARGE WASHER)	1					0.023
050	02056-50060	HEX.NUT	1					0.002
060	04512-50060	WASHER,SPRING LOCK	1					0.001
070	1G840-74280	PULLEY,FAN DRIVE	1					1.71
080	05712-00720	KEY, FEATHER	1					0.008
090	1G953-97010	BELT,COG	1				39.5in	0.13

D1803-CR-TIE4B-KEA-1 -> ENGINE -> 551000 ALTERNATOR (COMPONENT PARTS) ## D1803-CR-TIE4B-KEA-1

Update Date: 10/07/2018, Printing Date: 04/04/2019



D1803-CR-TIE4B-KEA-1 -> ENGINE -> 551000 ALTERNATOR (COMPONENT PARTS) ## D1803-CR-TIE4B-KEA-1

Update Date: 10/07/2018, Printing Date: 04/04/2019

Interchangeable =, Not Interchangeable NI, New for Old >>, Old for New <<

No	Part Number	Part Name	Qty	RoundUp	IC	S/N	Remarks	Kg
010	3A611-74013	ALTERNATOR(60A)	1					3.35
020	16427-64110	PULLEY, ALTERNATOR	1					0.2
030	15881-92010	NUT	1					0.02
040	TA043-74032	FRAME,DRIVE END	1					1.275
050	16652-64782	BEARING BALL	1					0.05
060	15881-64710	PLATE, RETAINER	1					0.01
070	15881-93010	SCREW, ROUND HEAD	4					0.003
080	15881-64260	BOLT, THROUGH	2					0.01
090	TA043-64040	ROTOR	1					1.465
100	15881-64800	COVER, BEARING	1					0.001
110	16652-64770	BEARING BALL	1					0.045
120	17369-64060	FRAME,END	1					0.235



D1803-CR-TIE4B-KEA-1 -> ENGINE -> 551000 ALTERNATOR (COMPONENT PARTS)  
 ## D1803-CR-TIE4B-KEA-1

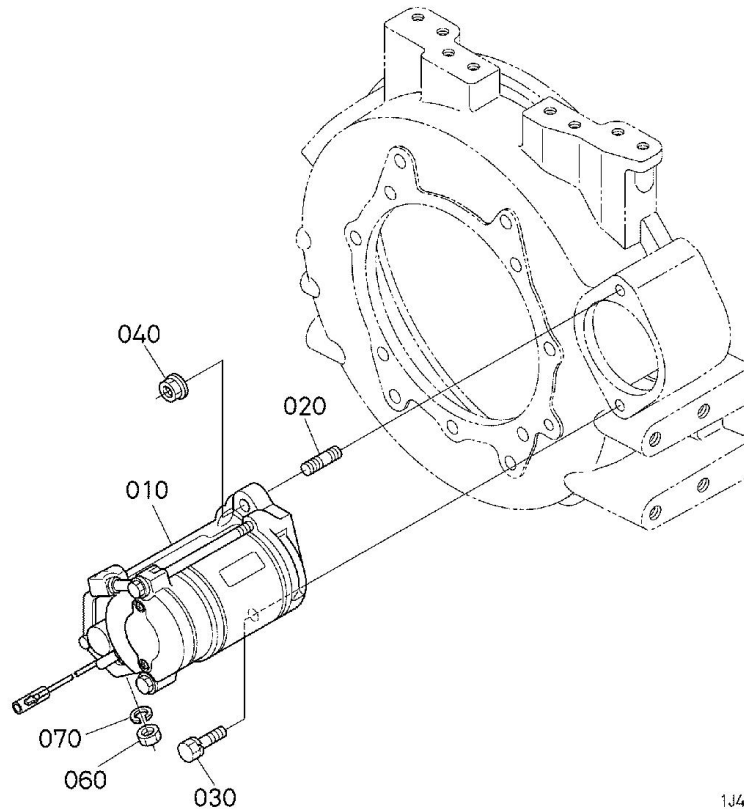
Update Date: 10/07/2018, Printing Date: 04/04/2019

Interchangeable =, Not Interchangeable NI, New for Old >>, Old for New <<

No	Part Number	Part Name	Qty	RoundUp	IC	S/N	Remarks	Kg
130	TA043-64850	HOLDER	1					0.155
140	16652-64310	HOLDER BRUSH	1					0.025
170	1K531-64602	ASSY REGULATOR	1					0.08
180	15881-93030	SCREW, ROUND HEAD	6					0.003
190	15881-93040	SCREW, ROUND HEAD	1					0.003
200	15881-91040	BOLT	3					0.005
210	15881-93020	SCREW, ROUND HEAD	2					0.005
220	15881-91050	BOLT	2					0.01
230	17369-64230	COVER,END	1					0.04
240	15881-64900	BUSH,INSULATION	1					0.006
250	15881-92020	NUT	2					0.02
260	14182-92030	NUT	1					0.003
270	17369-67570	CLAMP CORD	1					0.001
280	15881-64150	COLLAR	1					0.004

D1803-CR-TIE4B-KEA-1 -> ENGINE -> 554000 STARTER ## D1803-CR-TIE4B-KEA-1

Update Date: 10/07/2018, Printing Date: 04/04/2019



1J456-043-12

D1803-CR-TIE4B-KEA-1 -> ENGINE -> 554000 STARTER ## D1803-CR-TIE4B-KEA-1

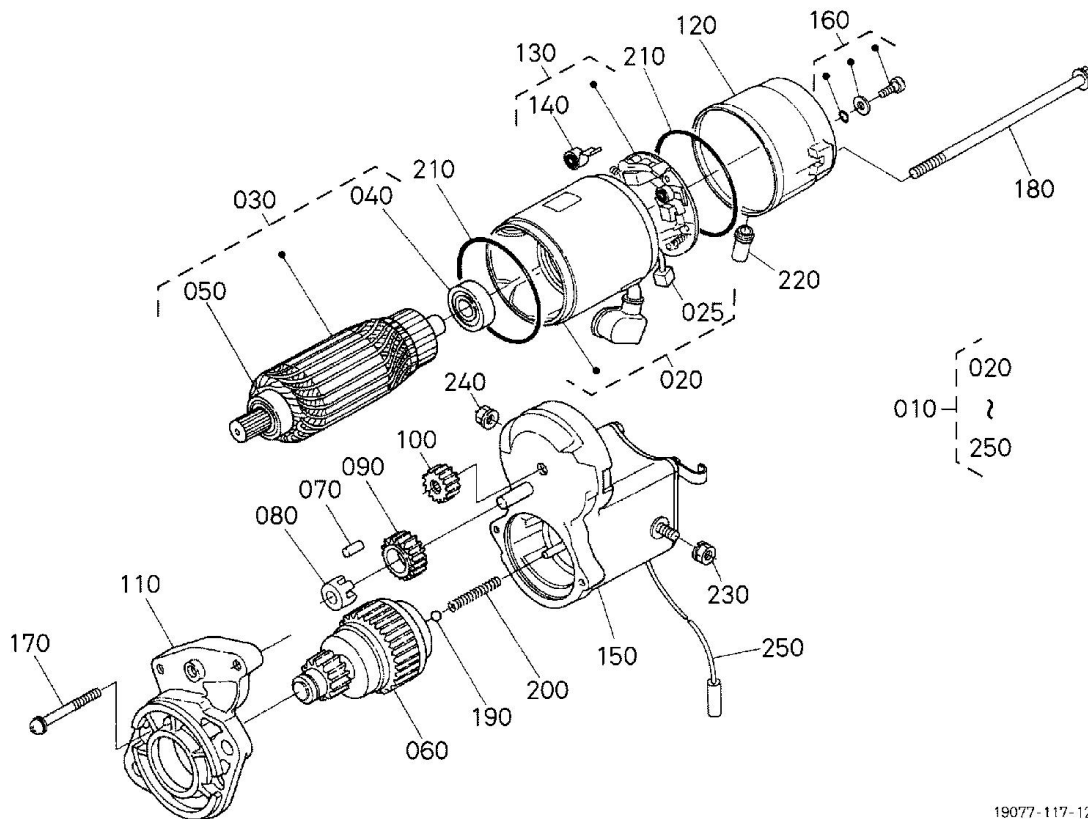
Update Date: 10/07/2018, Printing Date: 04/04/2019

Interchangeable =, Not Interchangeable NI, New for Old >>, Old for New <<

No	Part Number	Part Name	Qty	RoundUp	IC	S/N	Remarks	Kg
010	17121-63010	ASSY STARTER	1				12V 2.0kW	5.0
020	01517-51030	BOLT,STUD	1					0.024
030	01133-51030	BOLT,SEMS	1					0.025
040	02771-50100	NUT,FLANGE	1					0.005
060	02114-50080	HEX.NUT	1					0.005
070	04512-50080	WASHER,SPRING LOCK	1					0.002

D1803-CR-TIE4B-KEA-1 -> ENGINE -> 555000 STARTER (COMPONENT PARTS) ## D1803-CR-TIE4B-KEA-1

Update Date: 10/07/2018, Printing Date: 04/04/2019



19077-117-12

D1803-CR-TIE4B-KEA-1 -> ENGINE -> 555000 STARTER (COMPONENT PARTS) ## D1803-CR-TIE4B-KEA-1

Update Date: 10/07/2018, Printing Date: 04/04/2019

Interchangeable =, Not Interchangeable NI, New for Old >>, Old for New <<

No	Part Number	Part Name	Qty	RoundUp	IC	S/N	Remarks	Kg
010	17121-63010	ASSY STARTER	1					5.0
020	17123-63080	YOKE	1					1.46
025	15425-63400	KIT BRUSH	2					0.02
030	17123-63070	ARMATURE	1					1.16
040	17123-63500	BEARING	1					0.03
050	11460-63500	BEARING	1					0.03
060	15833-63040	CLUTCH, OVER RUNNING	1					1.045
070	19212-63100	ROLLER	5					0.002
080	11460-63110	RETAINER	1					0.01
090	11460-63270	GEAR	1					0.04
100	17123-63260	GEAR	1					0.02
110	17123-63030	FRAME, DRIVE END	1					0.43

D1803-CR-TIE4B-KEA-1 -> ENGINE -> 555000 STARTER (COMPONENT PARTS) ##  
D1803-CR-TIE4B-KEA-1

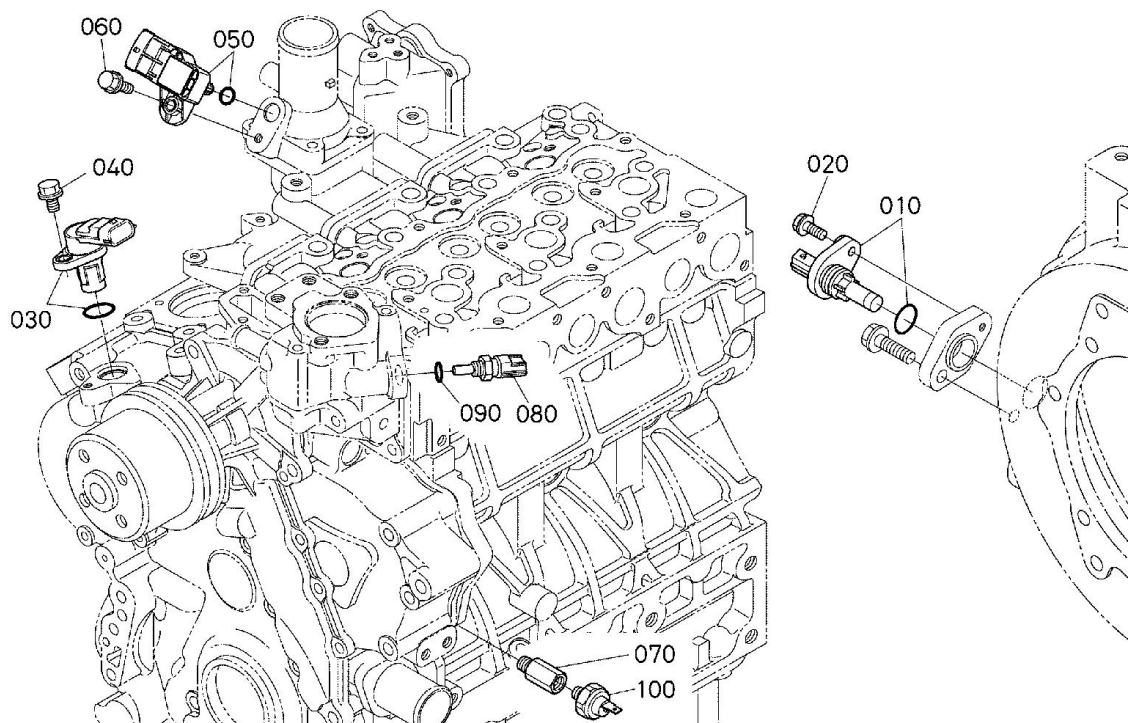
Update Date: 10/07/2018, Printing Date: 04/04/2019

Interchangeable =, Not Interchangeable NI, New for Old >>, Old for New <<

No	Part Number	Part Name	Qty	RoundUp	IC	S/N	Remarks	Kg
120	17121-63200	FRAME,END	1					0.15
130	17123-63380	HOLDER,BRUSH	1					0.12
140	17123-63140	SPRING	4					0.005
150	17121-63020	ASSY SWITCH,MAGNETIC	1					1.3
160	17123-93310	SCREW	2					0.003
170	17123-93320	SCREW	2					0.01
180	17123-63320	BOLT,THROUGH	2					0.03
190	19212-97130	BALL	1					0.003
200	11460-63120	SPRING	1					0.01
210	15511-96660	O RING	2					0.005
220	15833-63570	PIPE,DRAIN	1					0.002
230	13963-92010	NUT,HEXAGON	1					0.005
240	16285-92010	NUT,HEXAGON	1					0.005
250	17121-63660	ASSY WIRE,CONNECTING	1					0.02

D1803-CR-TIE4B-KEA-1 -> ENGINE -> 556000 OIL SWITCH AND  
THERMOMETER ## D1803-CR-TIE4B-KEA-1

Update Date: 10/07/2018, Printing Date: 04/04/2019



1J497-018-11

D1803-CR-TIE4B-KEA-1 -> ENGINE -> 556000 OIL SWITCH AND THERMOMETER ##  
D1803-CR-TIE4B-KEA-1

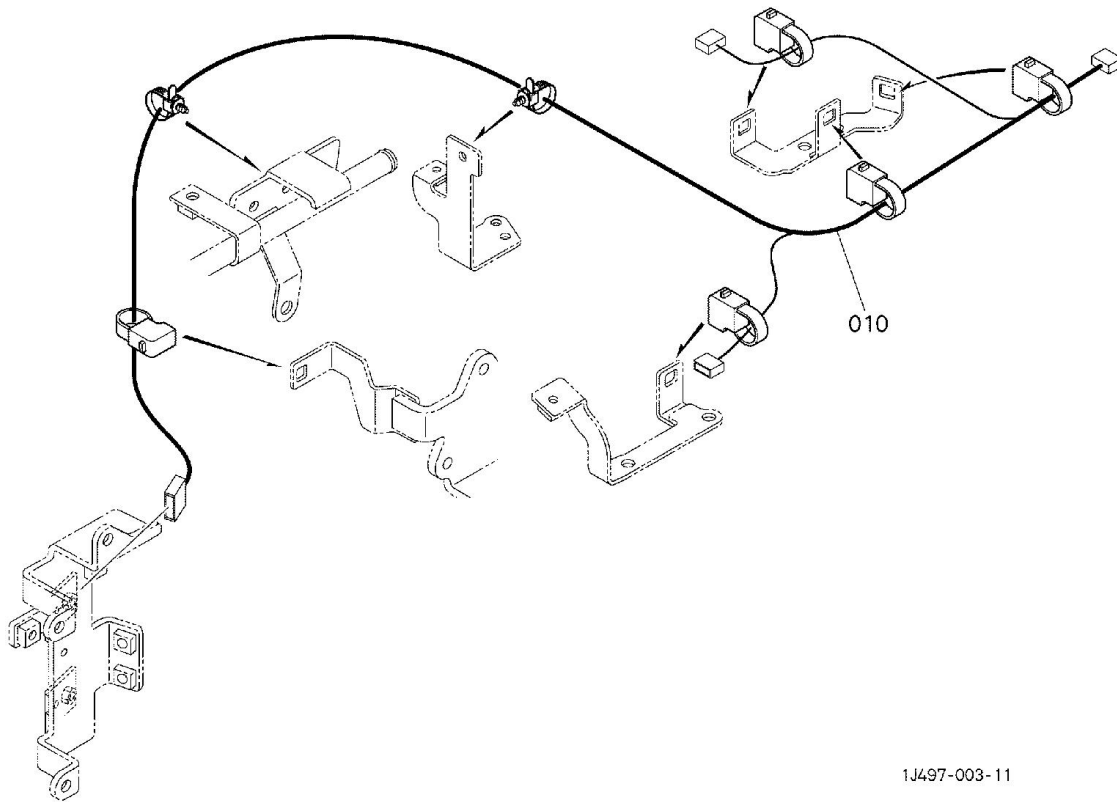
Update Date: 10/07/2018, Printing Date: 04/04/2019

Interchangeable =, Not Interchangeable NI, New for Old >>, Old for New <<

No	Part Number	Part Name	Qty	RoundUp	IC	S/N	Remarks	Kg
010	1J800-59660	SENSOR	1					0.035
020	01754-50616	BOLT,FLANGE	1					0.006
030	1J801-59710	SENSOR	1					0.05
040	01754-50616	BOLT,FLANGE	1					0.006
050	1J803-59670	SENSOR,BOOST	1					0.025
060	01754-50620	BOLT,FLANGE	1					0.007
070	1J455-39050	ADAPTER(SWITCH,OIL)	1					0.03
080	5H601-41940	SENSOR,WATER TEMP.	1					0.03
090	04817-00100	O RING	1					0.001
100	T1850-39010	SWITCH,OIL	1					0.04

D1803-CR-TIE4B-KEA-1 -> ENGINE -> 557500 INJECTOR HARNESS ##  
D1803-CR-TIE4B-KEA-1

Update Date: 10/07/2018, Printing Date: 04/04/2019



D1803-CR-TIE4B-KEA-1 -> ENGINE -> 557500 INJECTOR HARNESS ## D1803-CR-TIE4B-KEA-1

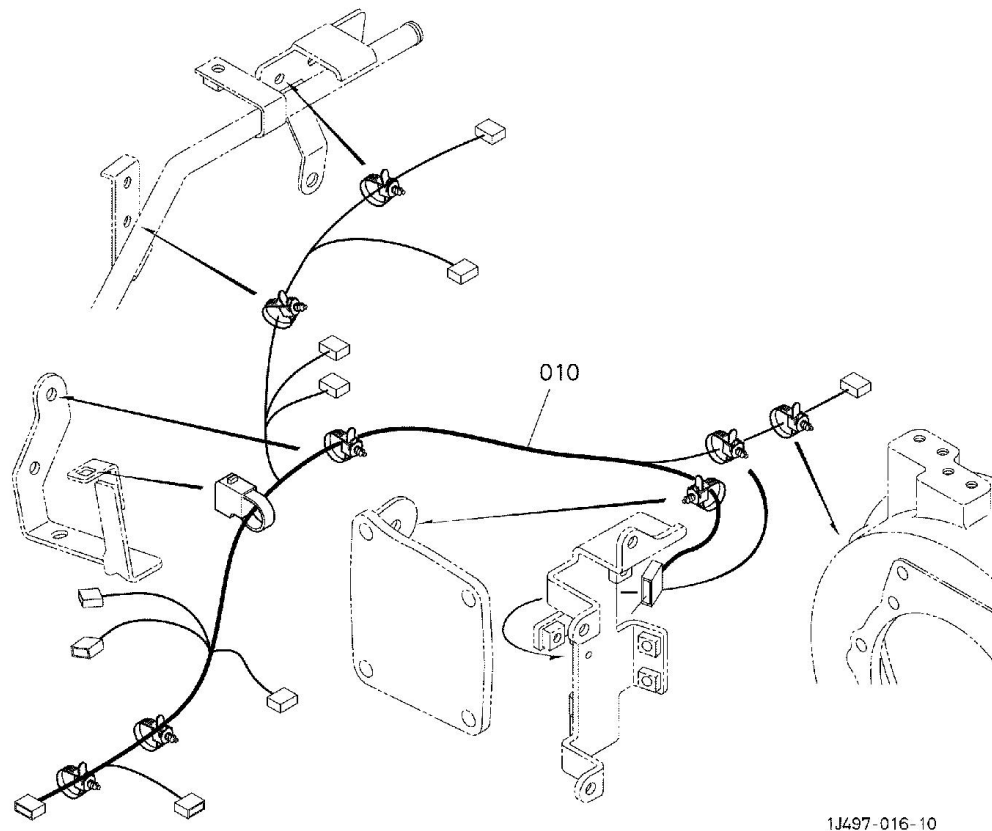
Update Date: 10/07/2018, Printing Date: 04/04/2019

Interchangeable =, Not Interchangeable NI, New for Old >>, Old for New <<

No	Part Number	Part Name	Qty	RoundUp	IC	S/N	Remarks	Kg
010	1J804-65072	HARNESS,WIRE,ASSY	1			<=7JMZ999		0.3
010	1J804-65073	HARNESS,WIRE,ASSY	1		>>	>=7JN0001		0.3

D1803-CR-TIE4B-KEA-1 -> ENGINE -> 558000 ELECTRICAL WIRING ##  
D1803-CR-TIE4B-KEA-1

Update Date: 10/07/2018, Printing Date: 04/04/2019



D1803-CR-TIE4B-KEA-1 -> ENGINE -> 558000 ELECTRICAL WIRING ## D1803-CR-TIE4B-KEA-1

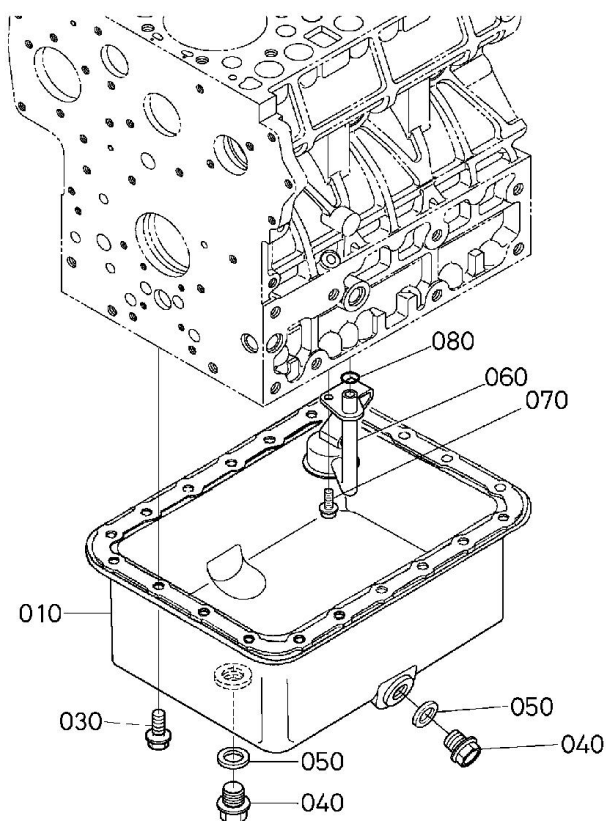
Update Date: 10/07/2018, Printing Date: 04/04/2019

Interchangeable =, Not Interchangeable NI, New for Old >>, Old for New <<

No	Part Number	Part Name	Qty	RoundUp	IC	S/N	Remarks	Kg
010	1J807-65060	HARNESS,WIRE,ASSY (ENGINE)	1			<=7JMZ999		0.58
010	1J807-65062	HARNESS,WIRE,ASSY (ENGINE)	1		>>	>=7JN0001		0.58

D1803-CR-TIE4B-KEA-1 -> ENGINE -> 501000 OIL PAN ## D1803-CR-TIE4B-KEA-1

Update Date: 10/07/2018, Printing Date: 04/04/2019



1J805-002-10

D1803-CR-TIE4B-KEA-1 -> ENGINE -> 501000 OIL PAN ## D1803-CR-TIE4B-KEA-1

Update Date: 10/07/2018, Printing Date: 04/04/2019

Interchangeable =, Not Interchangeable NI, New for Old >>, Old for New <<

No	Part Number	Part Name	Qty	RoundUp	IC	S/N	Remarks	Kg
010	16414-01504	COMP.OIL PAN	1					2.5
030	1G861-91010	BOLT(FLANGE)	20					0.025
040	15707-33750	PLUG(DRAIN)	2					0.095
050	15451-96670	PACKING	2					0.003
060	1G850-32110	FILTER,OIL	1					0.255
070	01754-50812	BOLT,FLANGE	1					0.01
080	04817-00160	O RING	1					0.001